

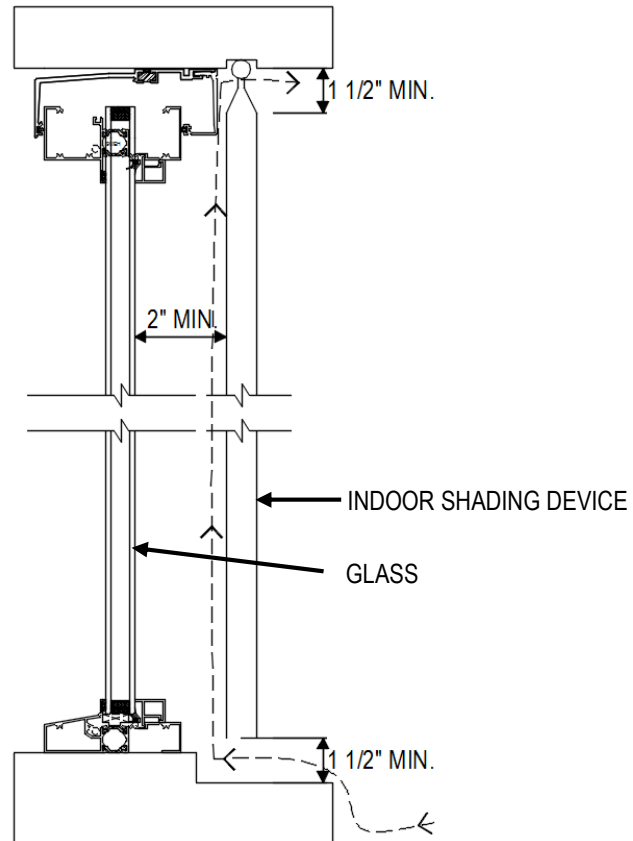
Blinds, draperies or other devices that provide interior shading should be hung in a manner to provide a space at the bottom and the top, or the bottom and one side, of the shading device. By providing the recommended space, it will permit the movement of natural air over the room side of the glass.

To avoid forming of a heat trap, and to provide adequate ventilation, the following steps should be followed (also refer to Figure 1).

1. A minimum clearance of 1 ½" is required from the bottom and the top, or the bottom and one side, of the shading device and the surrounding construction.
2. A minimum clearance of 2" is required between the shading device and the glass.
3. Heating and cooling outlets must be on the room side of the shading device and should be a safe distance away from the shading device.

If there will be lack of adequate ventilation, it may be necessary to heat strengthen or temper<sup>1</sup> the glass in order to offset the effects caused by lack of adequate ventilation.

**Note:** Starline Windows does not provide any indoor shading devices, nor can any indoor shading devices or other products be attached to Starline products. Any indoor shading devices installed need to follow the recommended guidelines. Any thermal stresses or breaks due to inadequate ventilation or incorrect installation of these devices will not be the responsibility of Starline Windows.



THE DIMENSIONS PROVIDED ARE MINIMUM CLEARANCES

<sup>1</sup> Doors (series 4500T, 4503 & 9502) come with tempered glass as a standard.