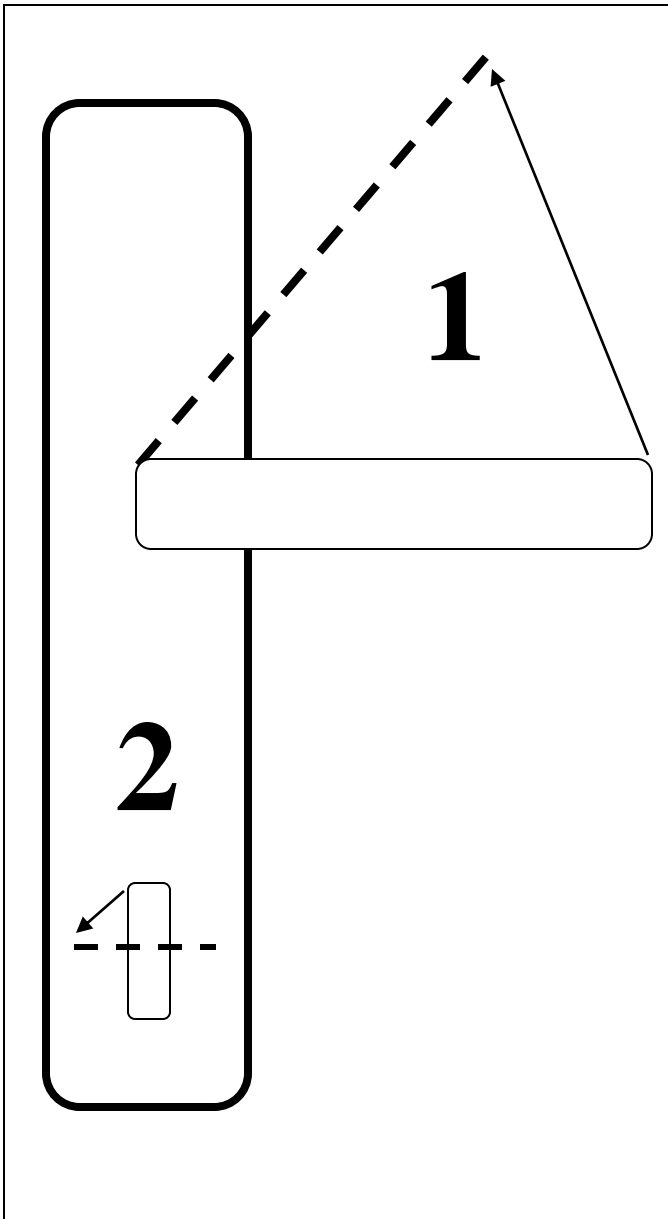
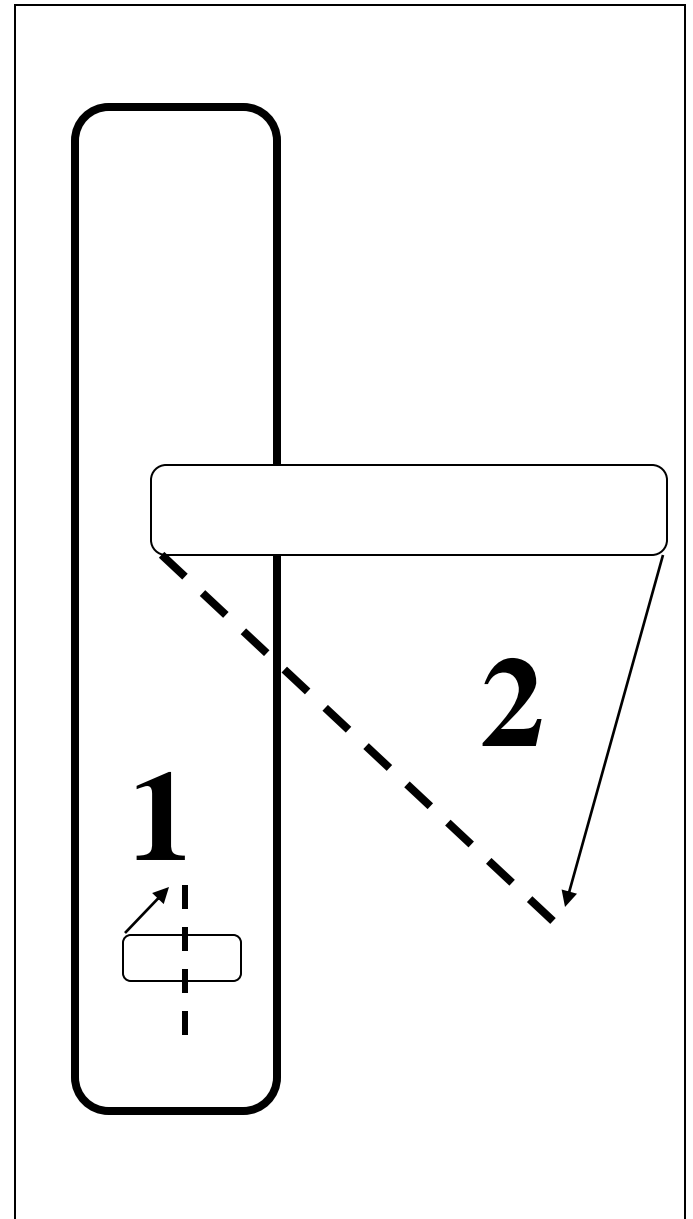


OPERATION OF THE MULTIPOINT LOCKING SYSTEM WITH 90 DEGREE LOCK / UNLOCK FEATURE



LOCKING

1. LIFT THE LEVER TO ENGAGE THE LOCKING POINTS.
2. OPERATE THE CYLINDER WITH A SINGLE 90 DEGREE TURN TO LOCK THE LOCKING POINTS.



UNLOCKING

1. RELEASE THE LOCKING POINTS BY OPERATING THE CYLINDER WITH A SINGLE 90 DEGREE TURN.
2. PRESS DOWN THE LEVER TO WITHDRAW THE LOCKING POINTS.