

EUROSTAR SERIES DOOR SHIM LOCATION GUIDE

Please read carefully before installing door(s).

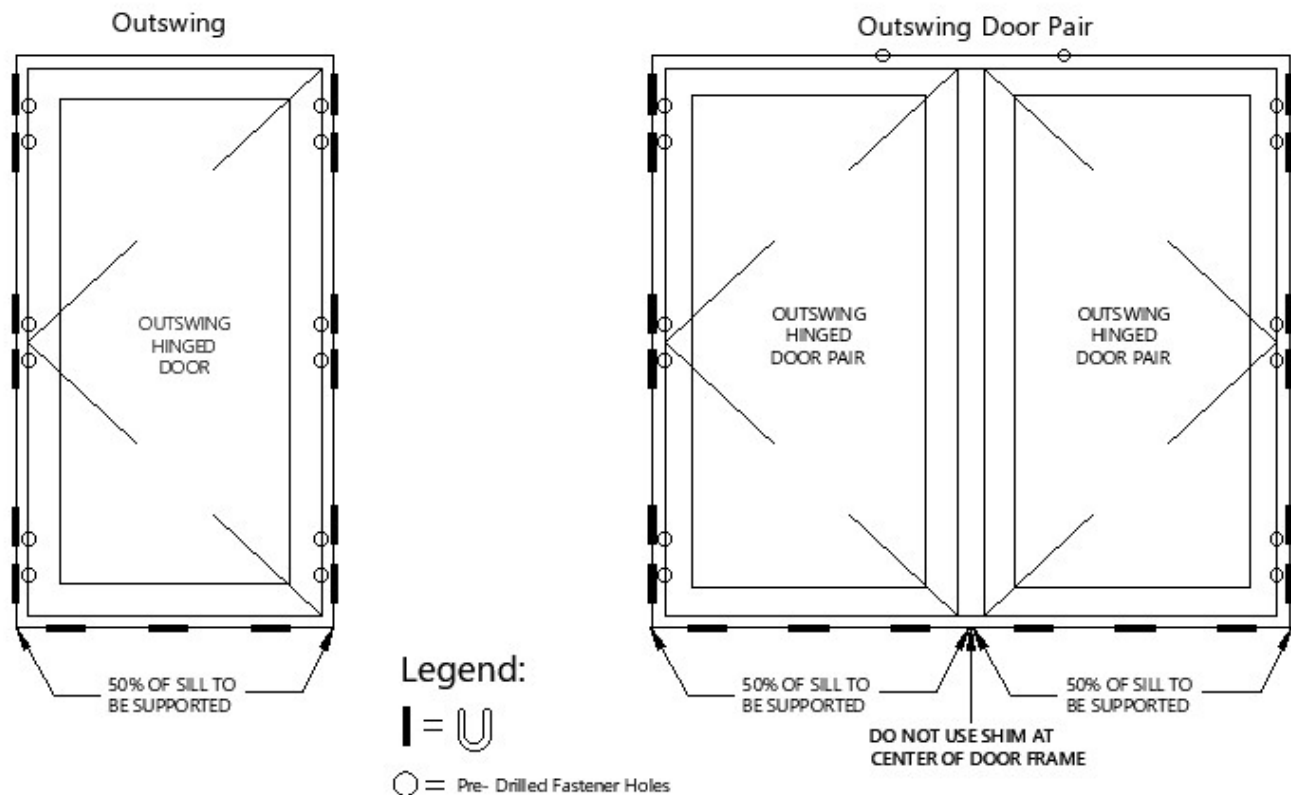
PURPOSE OF SHIMS: To prevent frames from deforming under operating loads.

- At the sill, to support the weight of glass in the frame and at the hinge points on the frame.
- At the jambs to prevent the frame from racking when sashes are opened and closed.
- NEVER place blocking at the head of the frame, at the end of a vertical or horizontal mullion, or under a strap anchor.

SHIM MATERIAL: Pressure-treated plywood or high impact PVC shims. Select shims that will fit the gap without being loose or deforming the frame. Do not force shims into place. Attach shims with caulking or glue. Jamb shims may be hung on jamb fasteners between rough opening and door jamb.

LOCATION OF SHIMS: Place shims as shown in the diagrams on this page. Refer to the appropriate frame type for shim locations. It is not always possible to place shims exactly where shown except at the jamb where there is pre-drilled holes. Location dimensions can vary +/- 1" (+/- 25mm).

- 3" (75mm) from CORNER & 4" (101mm) from center line at any mullion at sill, plus 50% support of sill is required, add shims to comply.
- Shims at all fasteners at jambs of the swing door frames.
- Do not shim at head.



NOTES:

- All frames are viewed from exterior.
- The above shim locations also apply to inswing door.
- Outswing does not have tilt function.
- Make sure that exterior finishes allow room for expansion and contraction from 1/4" up to 3/8".

EUROSTAR SERIES DOOR INSTALLATION GUIDE

Please read carefully before installing door(s).

INSTALLATION NOTES:

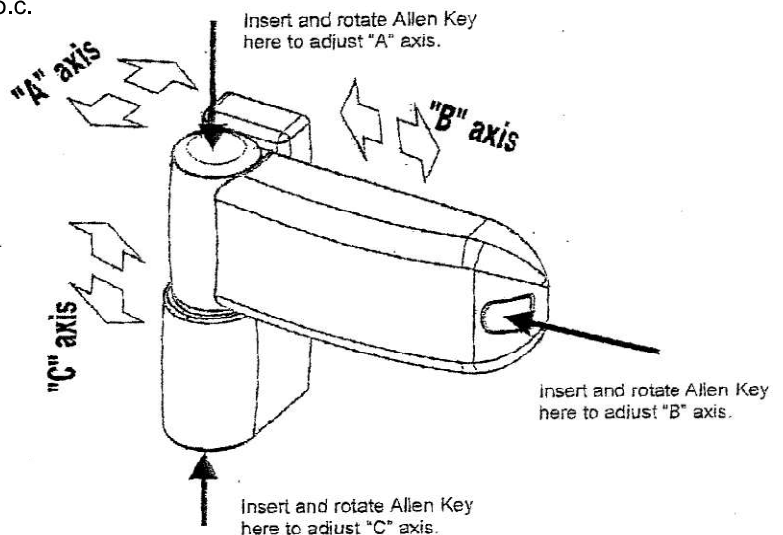
- Install doors to meet requirements of local code, building envelope consultants, architects, suppliers and warranty provider.
- Eurostar Swing Doors are designed to allow a 1/4" clearance at both jambs and sill, and a 3/8" clearance at the head, with shims installed at the jambs and sill only. Do not use expanding foam around the perimeter of doors.
- Doorframes must be installed plumb, level and square, otherwise the product may not perform to specifications, sashes may not operate properly, and the products may fail prematurely. Correct installation includes use of the nailing flange, fastening screws and correct placement of shims.
- If an adjustment is needed after installation, please see the active door interior locking mechanism with the 4 roller cams.

STEPS:

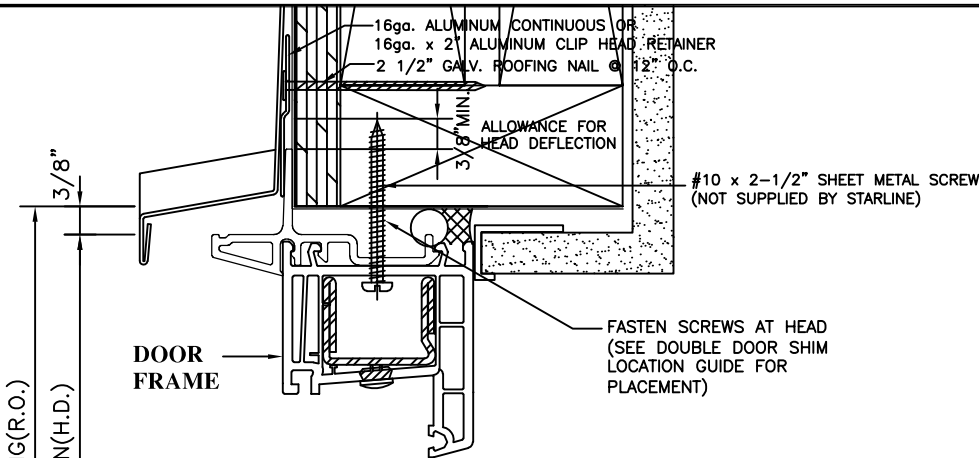
1. Ensure the rough opening is PLUMB, LEVEL and SQUARE.
2. REMOVE SASH (door leaf) from doorframe for easier handling. WARNING: Sash is heavy. It is recommended to have a crew of a least two people to install product.
3. SET doorframe into ROUGH OPENING.
 - a. CENTER the frame in the rough opening.
 - b. SHIM the frame as per the "Shim Location Guide". Do not shim at the head.
 - c. PLUMB the jambs — Temporarily fasten the doorframe to the wall assembly by driving 2 1/2" galvanized roofing nails into the center of the slotted holes in the flange.
 - d. SECURE the JAMBS. (Refer to "Eurostar Outswing /Inswing Door Fastening Guide")
Drill a 3/16" hole through both vinyl walls and steel then a 3/8" by-pass hole into the first layer of vinyl 1" from both ends of the hinges and strikes. Secure with #10 x 2 1/2" pan head screws (not supplied) at all the predrilled holes. Install a shim for each screw between the door frame and the opening frame. Use 3/8" screw caps to cover holes (supplied). After the screws and shims are installed, drive 2 1/2" galvanized roofing nails into the center of the slotted holes in the flange @ 6" o.c.
 - e. SECURE the SILL. (Refer to "Eurostar Outswing /Inswing Door Fastening Guide")
Fasten the sill angle to the wood substrate with #10 x 1 1/2" screw @ 6" o.c. Fasten the sill angle to the sill frame with #10 x 3/4" stainless steel wafer head screw @ 6" o.c.
 - f. SECURE the HEAD. (Refer to "Eurostar Outswing /Inswing Door Fastening Guide")
Fasten the head retainer or head clips with 2 1/2" Galv. Roofing nails @ 6" o.c.
4. ROD and CAULK to provide interior air seal around doorframe.
5. If installing an inswing door, it is recommended that at least a 1/8" clearance is left between the finishing material and the edge of the hinge. This can be accomplished if you make sure the finishing materials cover not more than 1/4" of the doorframe on the jambs.
6. INSTALL the SASH and ADJUST for proper operation.
7. Remove protective film from all profiles immediately after installation.

Swing Door Hinge Adjustment Instructions

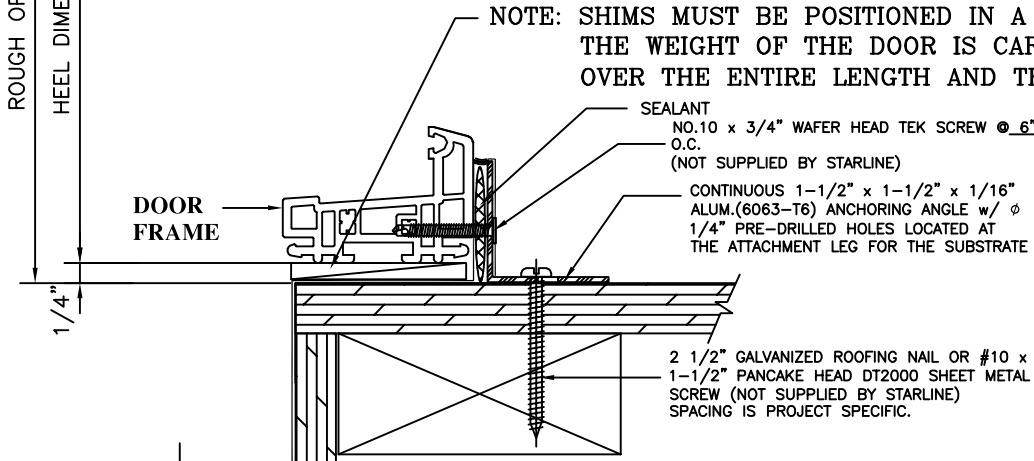
NOTE: The model of hinge may vary from the model shown in the diagram, however, the methods of adjustment may not necessarily vary.



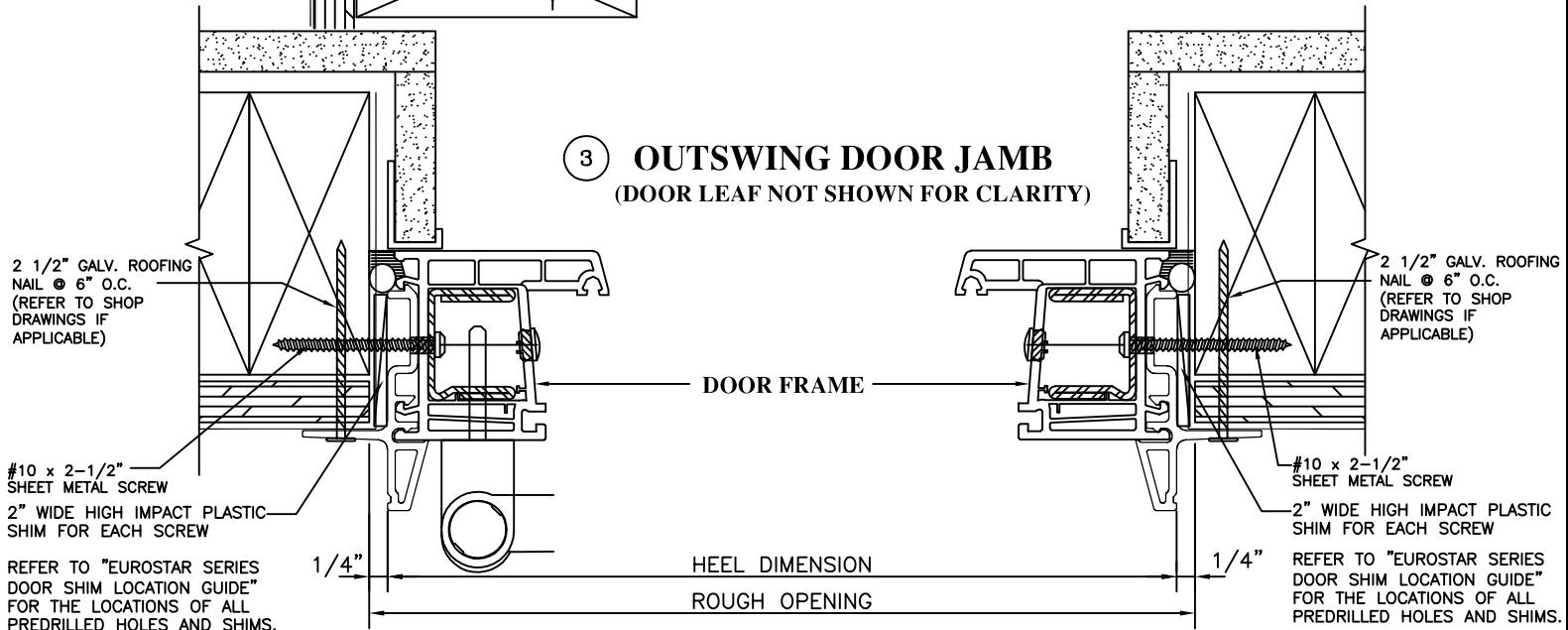
EUROSTAR OUTSWING DOOR FASTENING GUIDE



1 OUTSWING DOOR HEAD
 (DOOR LEAF NOT SHOWN FOR CLARITY)



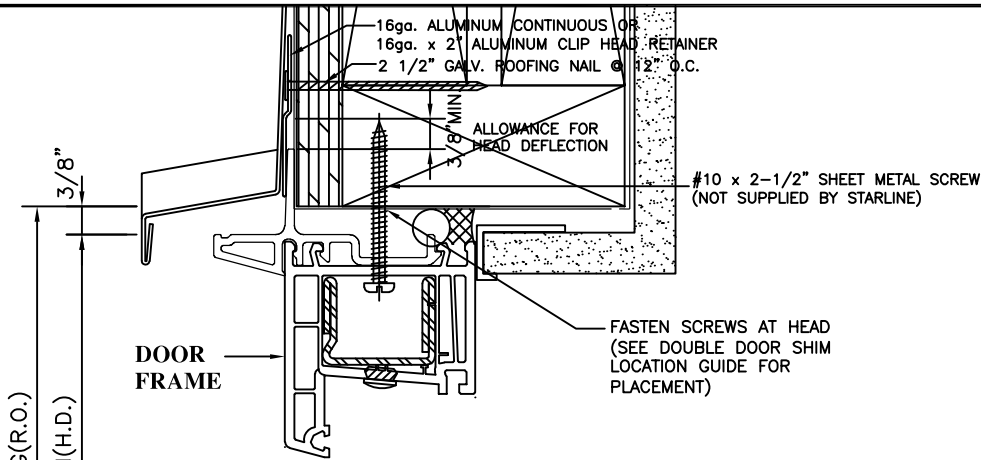
2 OUTSWING DOOR SILL
 (DOOR LEAF NOT SHOWN FOR CLARITY)



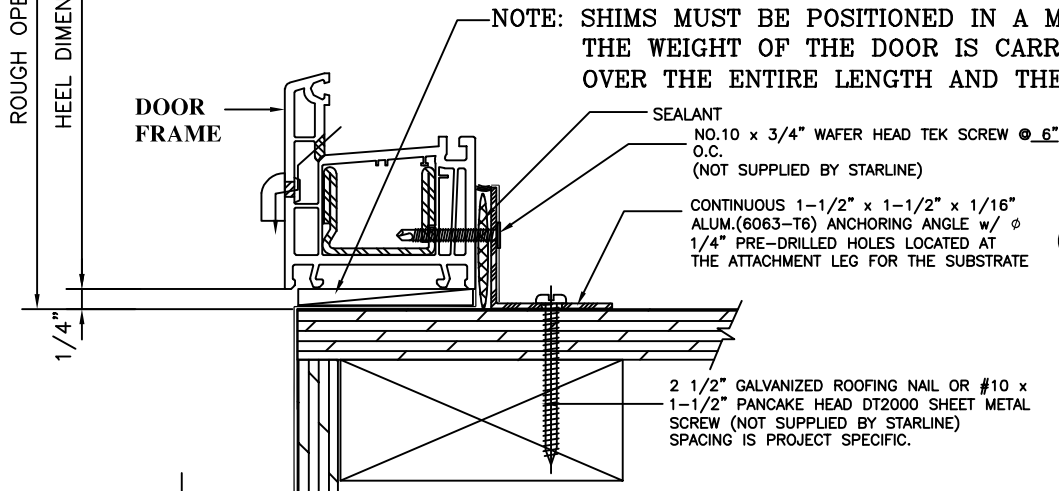
3 OUTSWING DOOR JAMB
 (DOOR LEAF NOT SHOWN FOR CLARITY)

NOTE: STRUCTURAL FASTENING DETAILS DO NOT SUPERCEDE SHOP DRAWINGS AND ARE TO BE USED AS A GENERAL GUIDE ONLY.
 ADDITIONAL FASTENING MAY BE REQUIRED FOR OVERSIZED FRAMES OR HEAVIER GLAZING. WHERE INTENDED INSTALLATION METHOD IS SIGNIFICANTLY DIFFERENT, PLEASE CONTACT STARLINE BEFORE YOU BEGIN WORK.
 * SCREWS, INSTALLATION ANGLES, SHIMS, ETC. ARE NOT SUPPLIED BY STARLINE UNLESS OTHERWISE STATED IN CONTRACT DOCUMENTS.

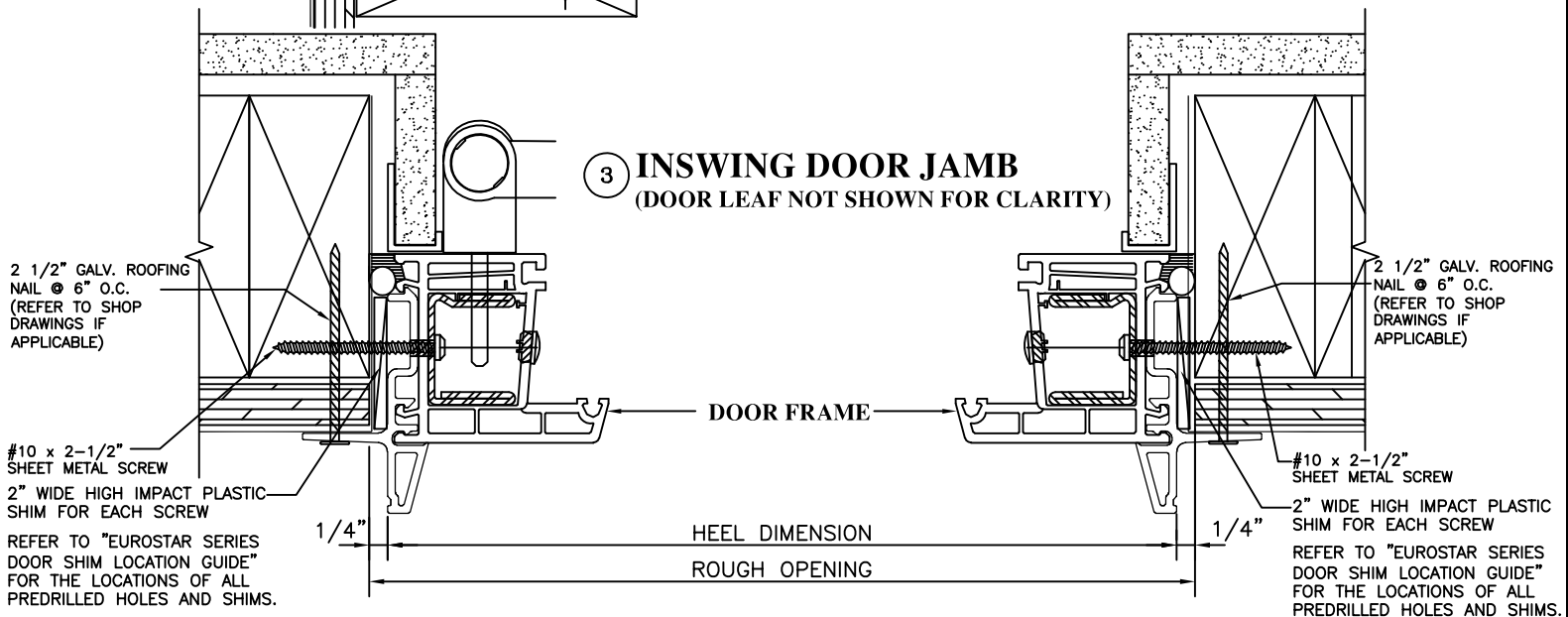
EUROSTAR INSWING DOOR FASTENING GUIDE



1 INSWING DOOR HEAD
 (DOOR LEAF NOT SHOWN FOR CLARITY)



2 INSWING DOOR SILL
 (DOOR LEAF NOT SHOWN FOR CLARITY)



3 INSWING DOOR JAMB
 (DOOR LEAF NOT SHOWN FOR CLARITY)

NOTE: STRUCTURAL FASTENING DETAILS DO NOT SUPERCEDE SHOP DRAWINGS AND ARE TO BE USED AS A GENERAL GUIDE ONLY.

ADDITIONAL FASTENING MAY BE REQUIRED FOR OVERSIZED FRAMES OR HEAVIER GLAZING. WHERE INTENDED INSTALLATION METHOD IS SIGNIFICANTLY DIFFERENT, PLEASE CONTACT STARLINE BEFORE YOU BEGIN WORK.

* SCREWS, INSTALLATION ANGLES, SHIMS, ETC. ARE NOT SUPPLIED BY STARLINE UNLESS OTHERWISE STATED IN CONTRACT DOCUMENTS.