

Series 4500R (4 1/2" Deep) & 4600 (6" Deep) Comparison Data Sheet



Energy Value Comparison

The energy values provided below are based on fenestration values, not the centre of glass values.

The 4500R & 4600 are only available in double glazing.

Vision Glazing – Using 6mm with standard low E #2 / argon fill and warm edge spacer / 4mm clear.

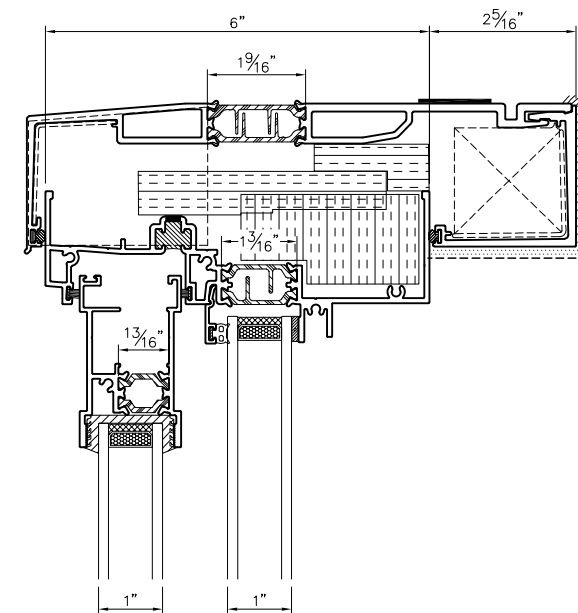
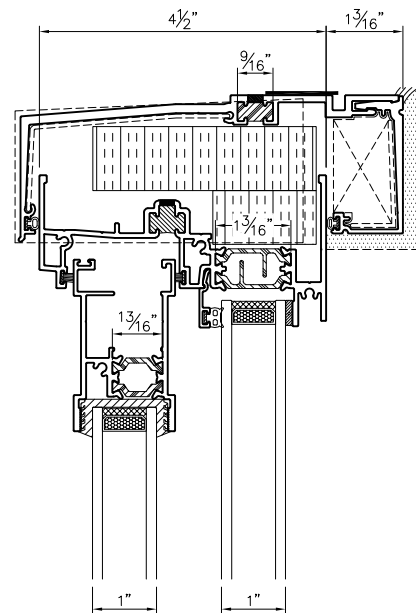
SERIES	4500R			4600		
	U _{fen}		SHGC _{fen}	U _{fen}		SHGC _{fen}
Energy	W/m ² k	Btu/hft ² F		W/m ² k	Btu/hft ² F	
Sliding Door	1.86	0.33	0.31	1.95	0.34	0.31

Main Differences Between the Series

The below table provides a high-level comparison of the 4500R and 4600 series.

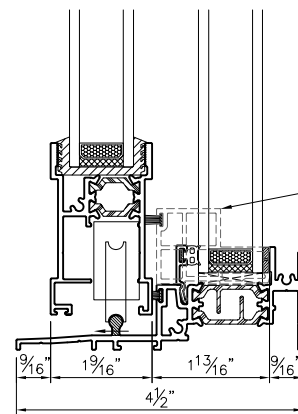
Series		4500R – 4 1/2" (114mm) Deep	4600R – 6" (152mm) Deep
IGU Depth		1" (25mm)	
Slider Depth		1 9/16" (40mm)	
Thermal Break (TB) Depth	Deflection Header	9/16" (14mm) Fill and Debridge	1 9/16" (40mm) Multi Chamber
	Fixed Lite	1 3/16" (30mm) Multi Chamber	
	Slider	13/16" (21mm)	
Deflection Header Clip Depth		1 3/16" (30mm)	2 5/16" (59mm)
Exterior Face of Door Head to Exterior Face of Sliding IGU		13/16" (21mm)	
Exterior Face of Door Sill to Exterior Face of Sliding IGU		9/16" (14mm)	
Interior Face Fixed Lite IGU to Interior Face of Door Head		5/8" (16mm)	2 1/8" (54mm)
Interior Face Fixed Lite IGU to Interior Face of Door Sill		9/16" (14mm)	2 1/16" (52mm)

Please refer to the next page for details providing a visual comparison of the table above.



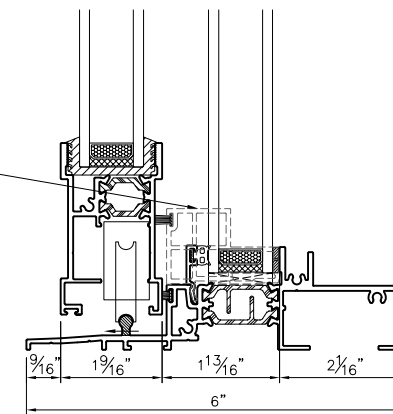
WATER PENETRATION RESISTANCE FOR FIELD TESTS

THERE IS AN OPTION TO ADD AN INSERT TO THE THRESHOLD OF THE 4500R & 4600R DOOR. THIS INSERT WILL PROVIDE AN ENHANCED WATER PENETRATION RESISTANCE RATING FROM 301Pa UP TO 500Pa FOR FIELD TESTING. IF 300Pa OR LESS IS REQUIRED, THE STANDARD DOOR THRESHOLD CAN BE USED.



1 4500R SERIES
ARCH REF: N/A

NOTE: PVC INSERT
OPTIONAL FOR ENHANCED
WATER PENETRATION
RESISTANCE FOR FIELD
TESTS.



2 4600R SERIES
ARCH REF: N/A