

Series 9502/3 & 9512/3 Outswing Balcony Door Comparison Data Sheet



Energy Value Comparison

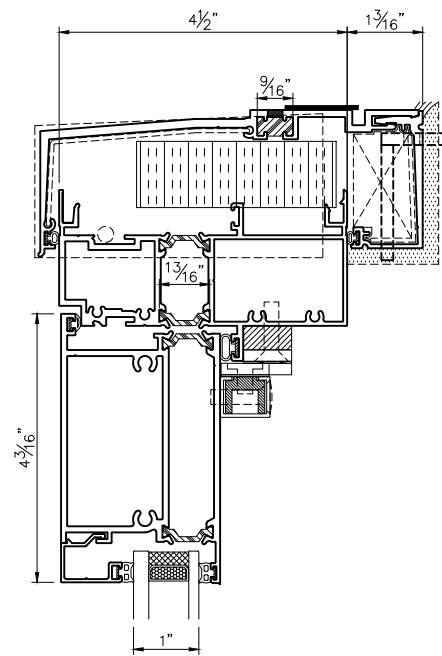
Series	9502/3		9512/3 Standard		9512/3 Enhanced	
	U _{fen} Btu/hft ² F	SHGC _{fen}	U _{fen} Btu/hft ² F	SHGC _{fen}	U _{fen} Btu/hft ² F	SHGC _{fen}
Energy Argon Fill & Warm Edge Spacer(s)						
6mm SN68 #2 / 4mm Clear	0.40	0.25	0.38	0.23	0.31	0.23
6mm SN68 #2 / 4mm Clear / 4mm Clear	0.36	0.23	0.34	0.22	0.27	0.21
6mm SN68 #2 / 4mm RLE 70/36 #4 / 4mm Clear	0.32	0.20	0.30	0.19	0.23	0.18

Refer to detail page 9.1 for the 9512/3 standard design and 9.2 for the 9512/3 enhanced design. The enhanced design includes polyurethane foam in the door leaf thermal breaks.

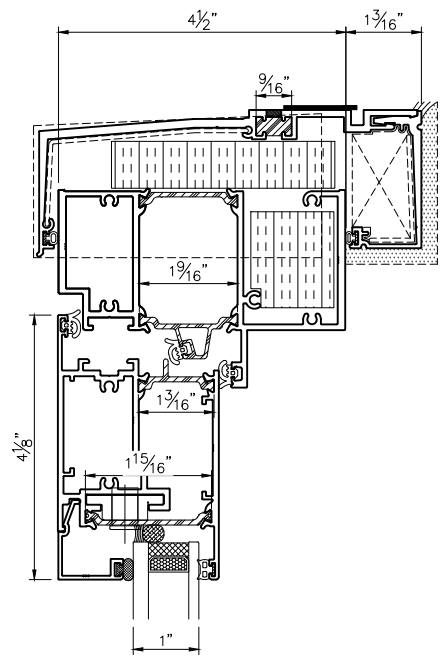
Main Differences Between the Series

Series		9502/3 – 4 1/2" (114mm) Deep	9512/3 – 4 1/2" (114mm) Deep
IGU Depth	Double Glazed	1" (26mm) *9502 has option for 1 7/16" (37mm) IGU for enhanced acoustics	
	Triple Glazed		1 13/16" (46mm)
Seismic Jamb Width (Including comp channel)		3 5/8" (92mm)	4" (102mm) New design allows for more MW in SJ
Door Leaf Depth		2 1/2" (64mm)	
Thermal Break (TB) Depth	Deflection Header	9/16" (14mm) Fill & Debridge	
	Door Head	13/16" (21mm)	1 9/16" (40mm) Multi Chamber *Option to fill TB cavity with polyurethane foam
	Door Leaf	13/16" (21mm)	1 3/16" (30mm) & 1 15/16" (49mm) *Option to fill TB cavity with polyurethane foam
	Threshold	9/16" (14mm) Fill & Debridge	1 9/16" (40mm) Multi Chamber
Threshold Heights		1 1/8" tall – 300Pa field water rating Option for ADA, 2" ADA & 2"	1 3/4" tall – 500Pa field water rating Option for ADA only
Hardware	Handle	Rockwell Slimline 51 *Engineering is working on a second handle option for the 9512/3	
	Hinges	Butt hinges (powder coated)	Barrel Hinges (anodized)
Min. & Max. Sizing Parameters		Refer to 9502/3 Product Catalogue – Same parameters for 9512/3	
Clear Openings		Refer to 9502/3 Product Catalogue	WIP *CO calcs will be different than the 9502

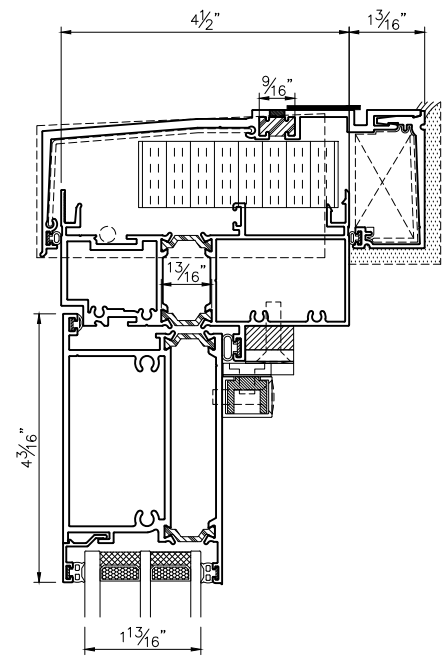
Refer detail pages 9.1 and 9.2 for a visual comparison of the 9502/3 & 9512/3 Outswing Balcony Door.



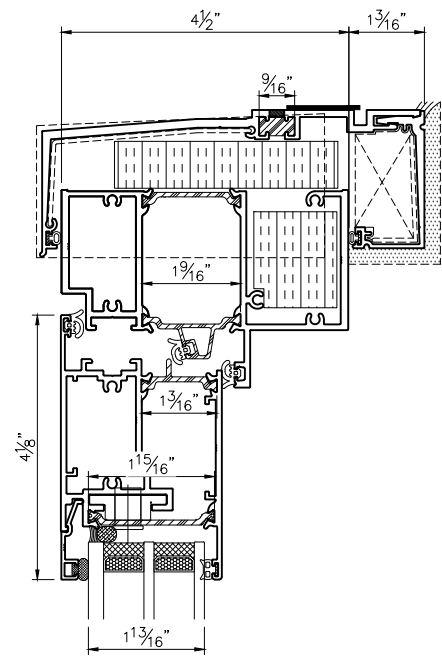
1 9502 SERIES
ARCH REF: N/A



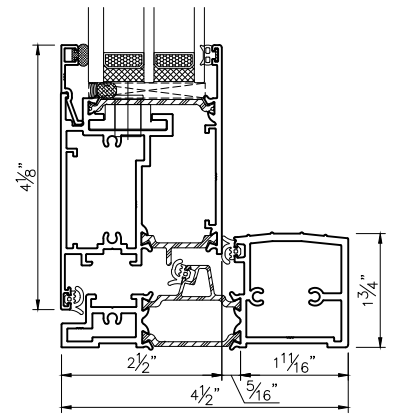
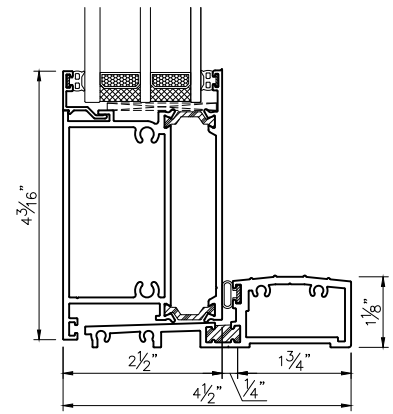
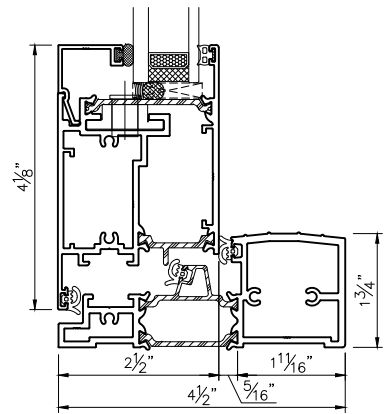
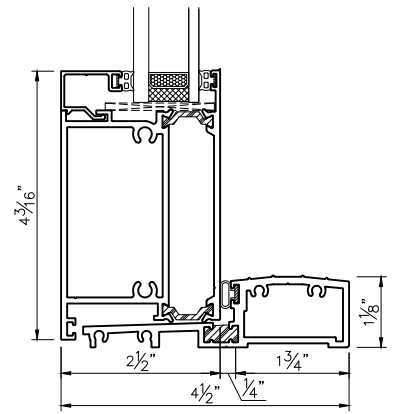
2 9512 SERIES
ARCH REF: N/A

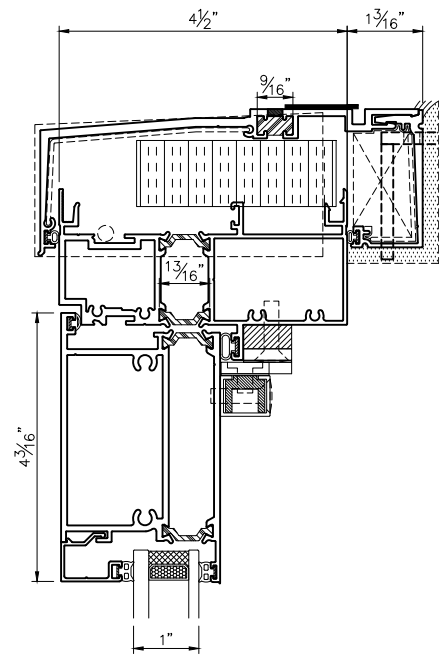


3 9503 SERIES
ARCH REF: N/A

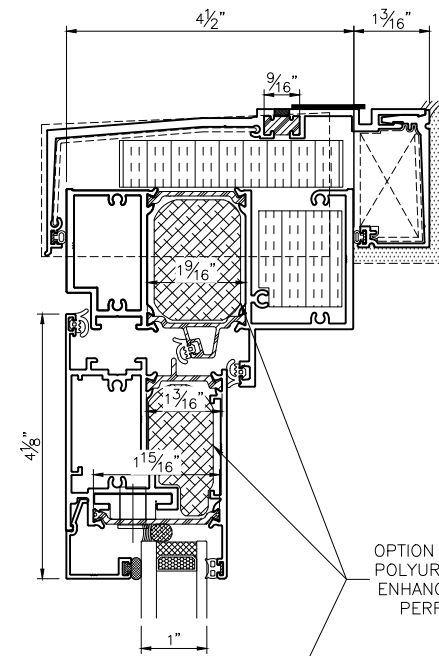


4 9513 SERIES
ARCH REF: N/A

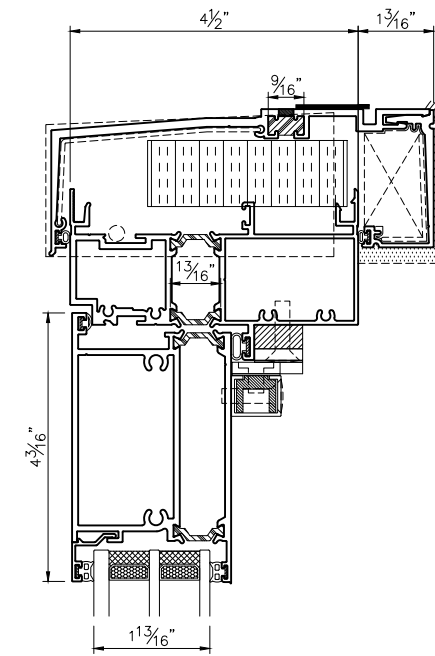




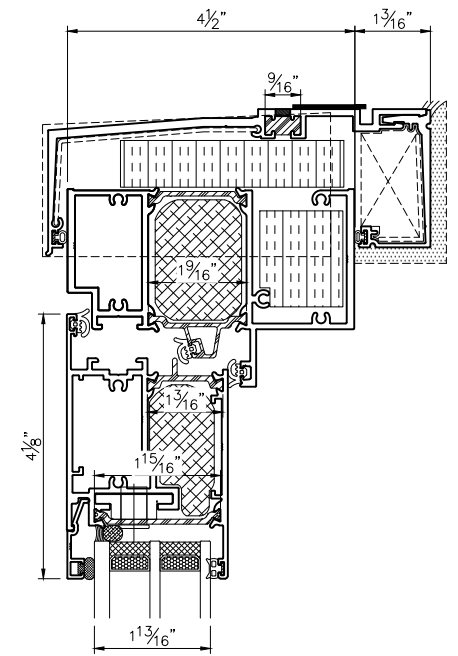
1 9502 SERIES
ARCH REF: N/A



2 9512 SERIES
ARCH REF: N/A



3 9503 SERIES
ARCH REF: N/A



4 9513 SERIES
ARCH REF: N/A

