

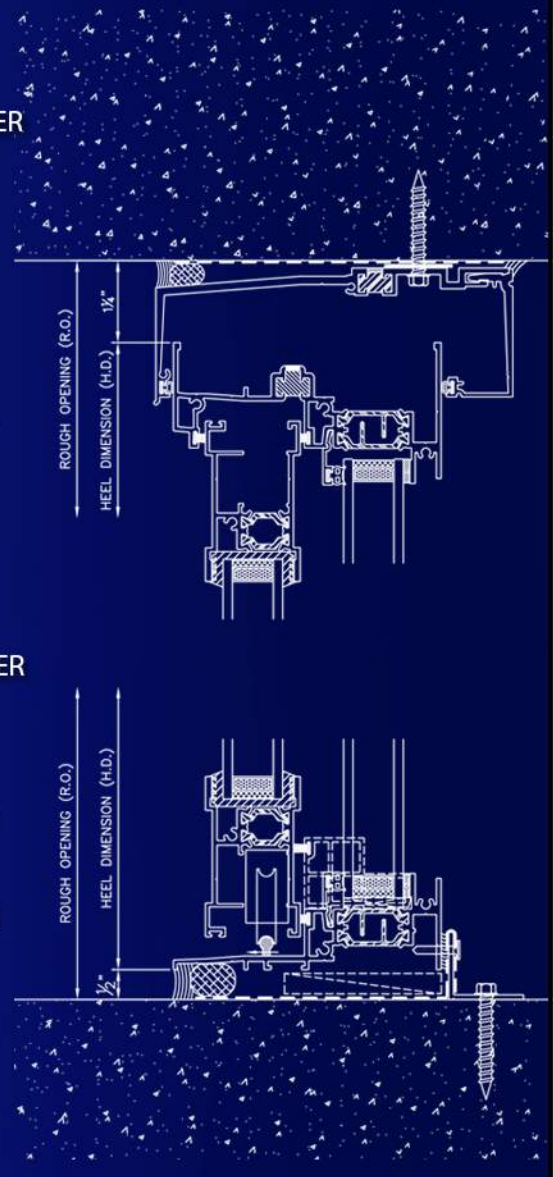
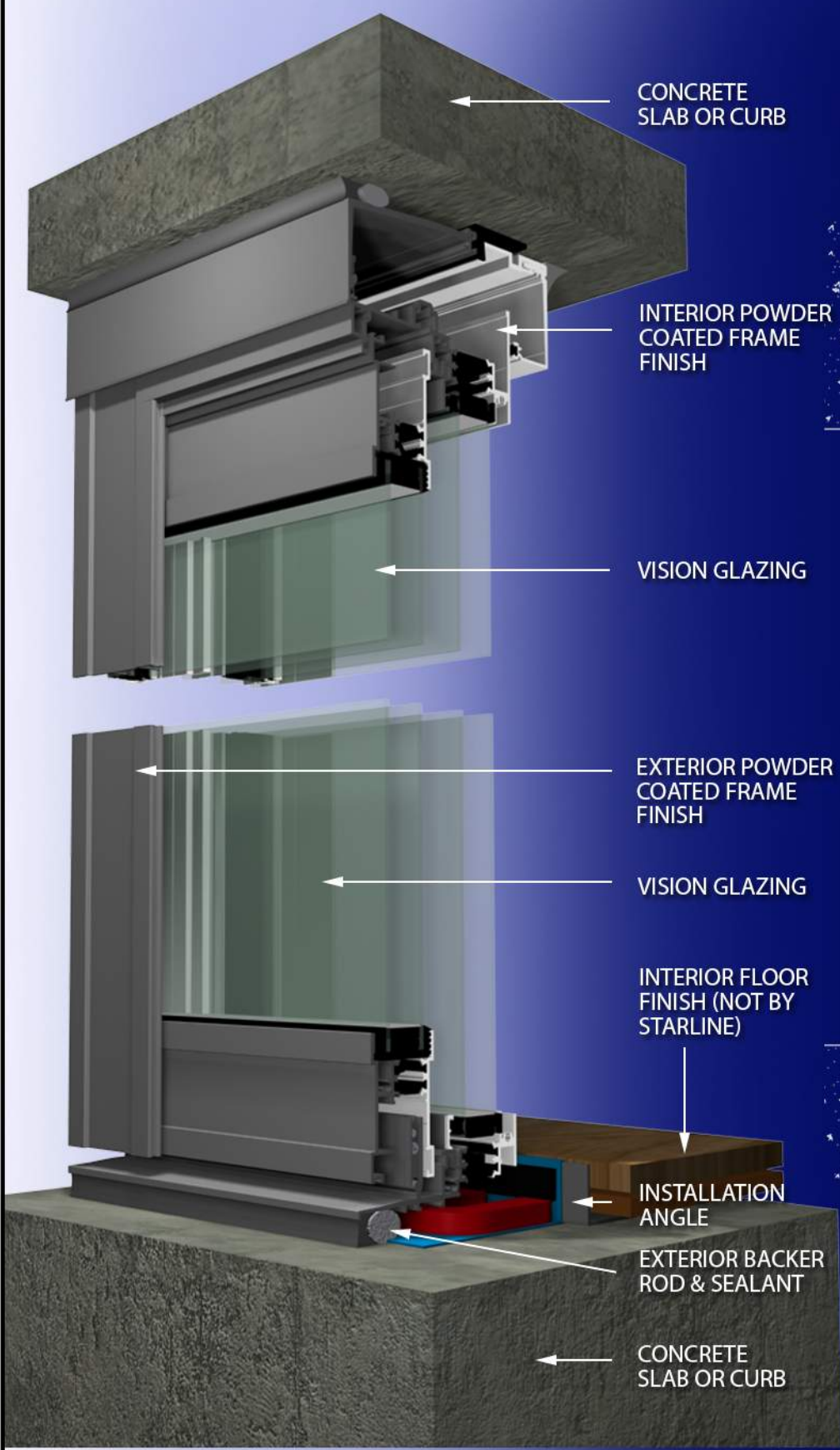
Series 4500R Product Renderings

Thermally Enhanced Aluminum Sliding Balcony Door
Available in Double Glazed

STARLINE
WINDOWS



Quality, Comfort & Peace of Mind

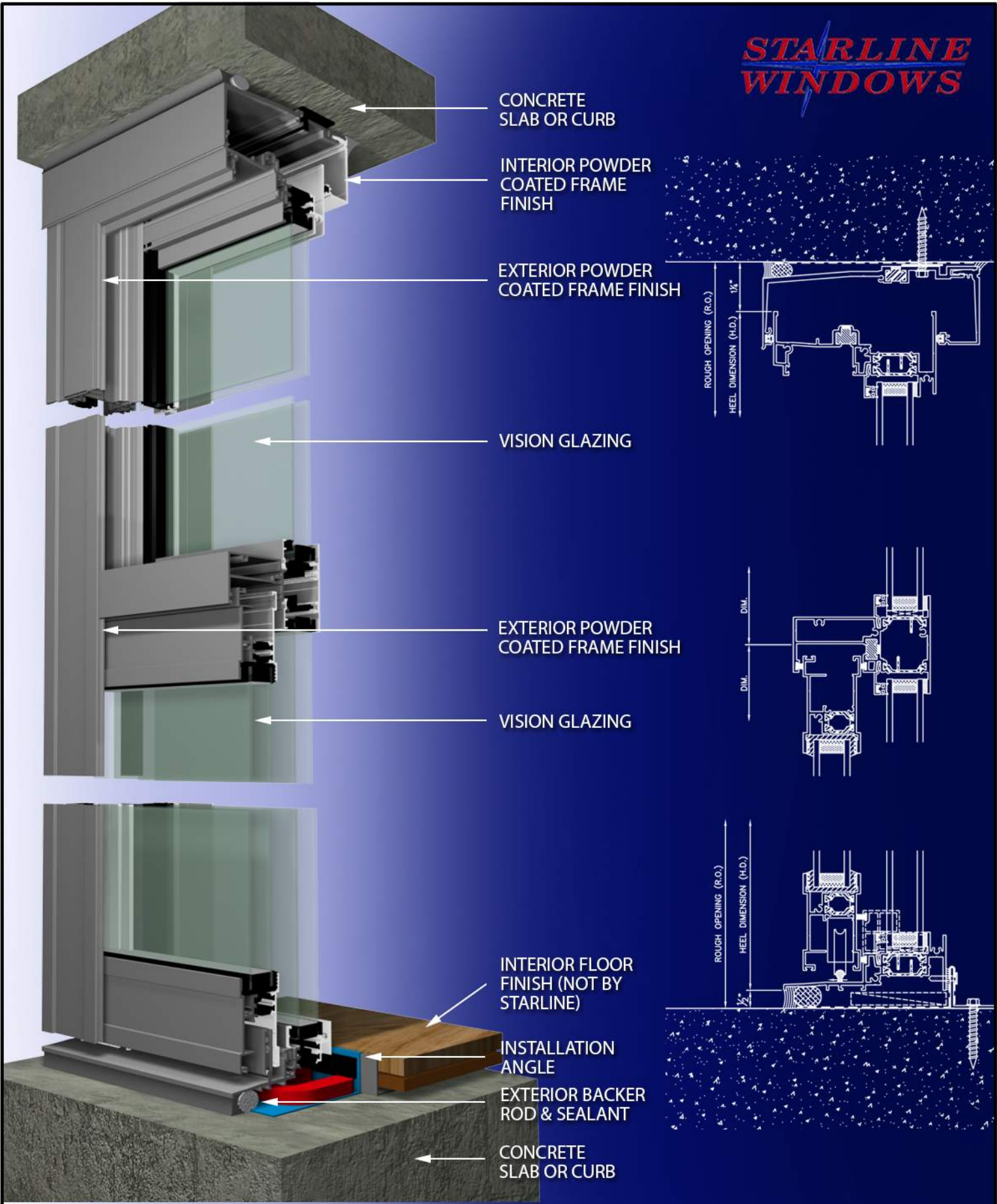


SERIES 4500R - HEAD DEFLECTOR & SILL

THIS DETAIL IS A SUGGESTED METHOD OF INSTALLATION AND DOES NOT REPRESENT A DETAIL THAT IS SUITABLE FOR A SPECIFIC PROJECT. TO CONFIRM PROJECT SPECIFIC DETAILS, PLEASE CHECK WITH YOUR WATERPROOFING/BUILDING ENVELOPE CONSULTANT.

DRAWINGS ARE SUBJECT TO CHANGE WITHOUT NOTICE

AUTHOR:	DATE:	DWG NO:
S.R.R.	MAY 2020	4500R - DWG 1

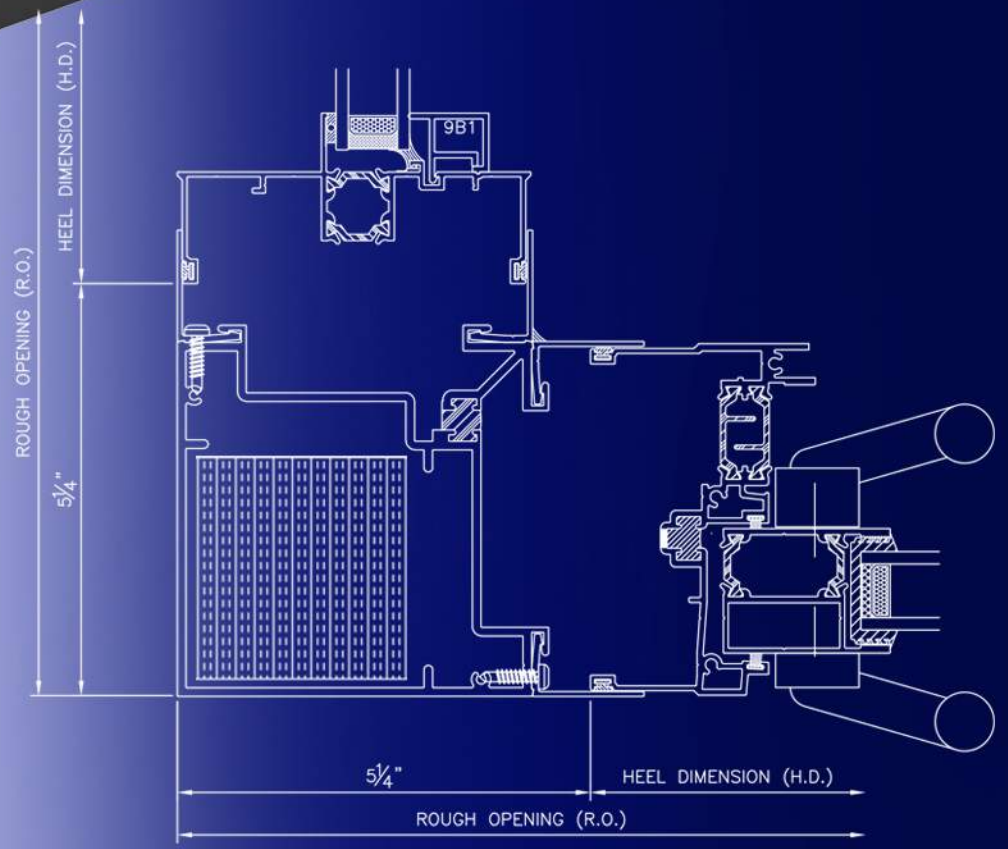
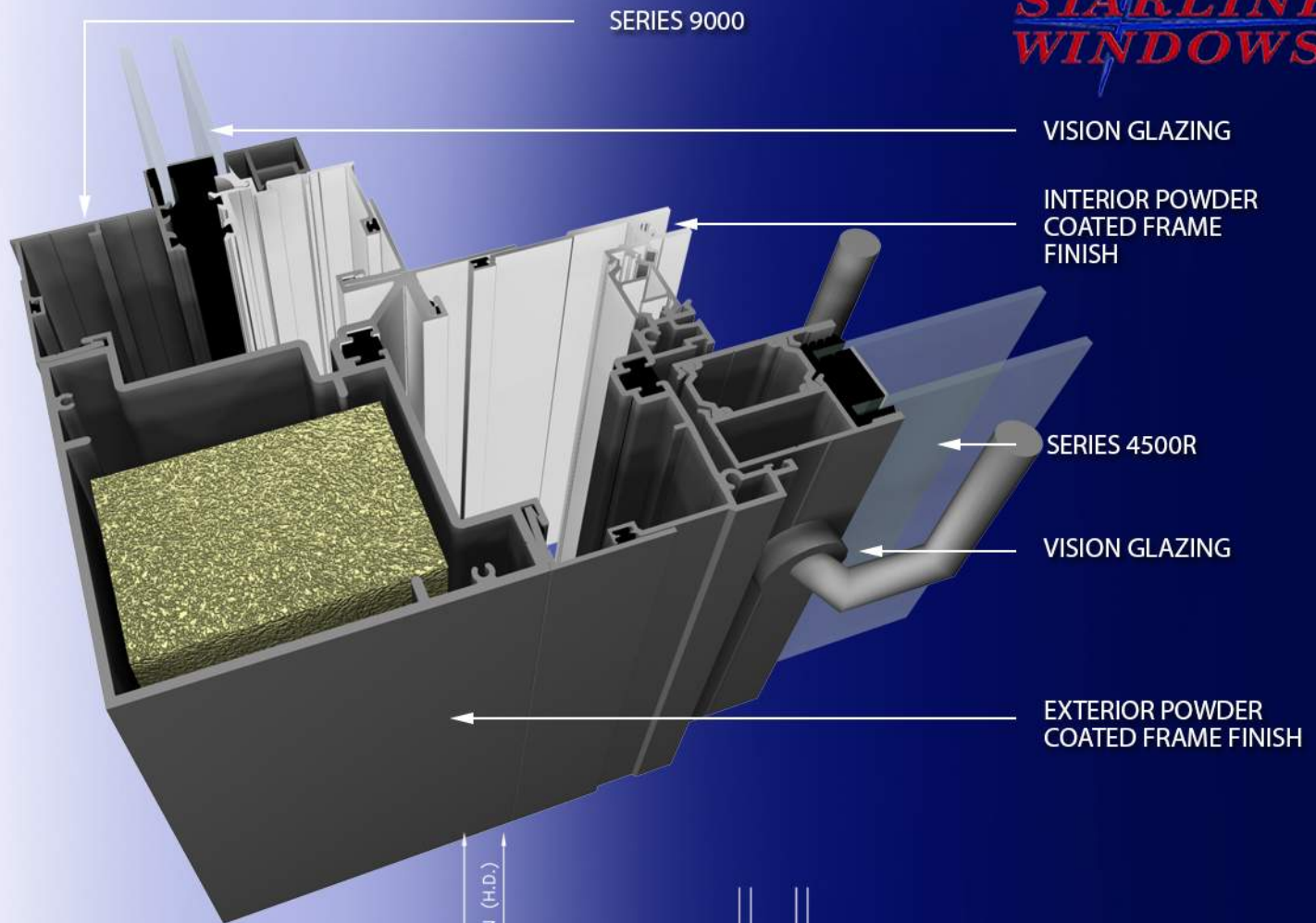


SERIES 4500R - HEAD DEFLECTOR, TRANSOM & SILL

THIS DETAIL IS A SUGGESTED METHOD OF INSTALLATION AND DOES NOT REPRESENT A DETAIL THAT IS SUITABLE FOR A SPECIFIC PROJECT. TO CONFIRM PROJECT SPECIFIC DETAILS, PLEASE CHECK WITH YOUR WATERPROOFING/BUILDING ENVELOPE CONSULTANT.

DRAWINGS ARE SUBJECT TO CHANGE WITHOUT NOTICE

AUTHOR:	DATE:	DWG NO:
S.R.R.	MAY 2020	4500R - DWG 2



SERIES 4500R - 90 DEGREE SEISMIC CORNER COUPLER

THIS DETAIL IS A SUGGESTED METHOD OF INSTALLATION AND DOES NOT REPRESENT A DETAIL THAT IS SUITABLE FOR A SPECIFIC PROJECT. TO CONFIRM PROJECT SPECIFIC DETAILS, PLEASE CHECK WITH YOUR WATERPROOFING/BUILDING ENVELOPE CONSULTANT.

DRAWINGS ARE SUBJECT TO CHANGE WITHOUT NOTICE

AUTHOR:

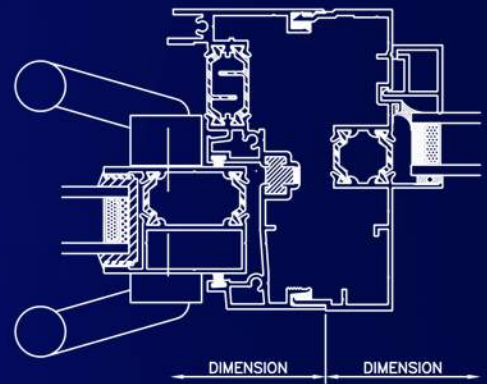
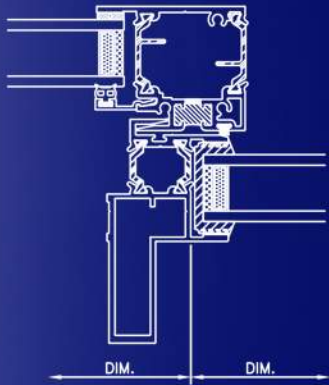
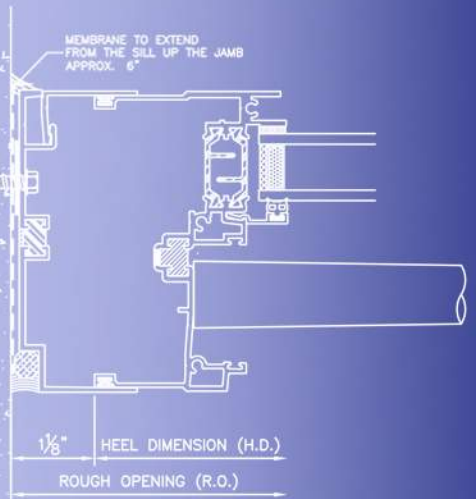
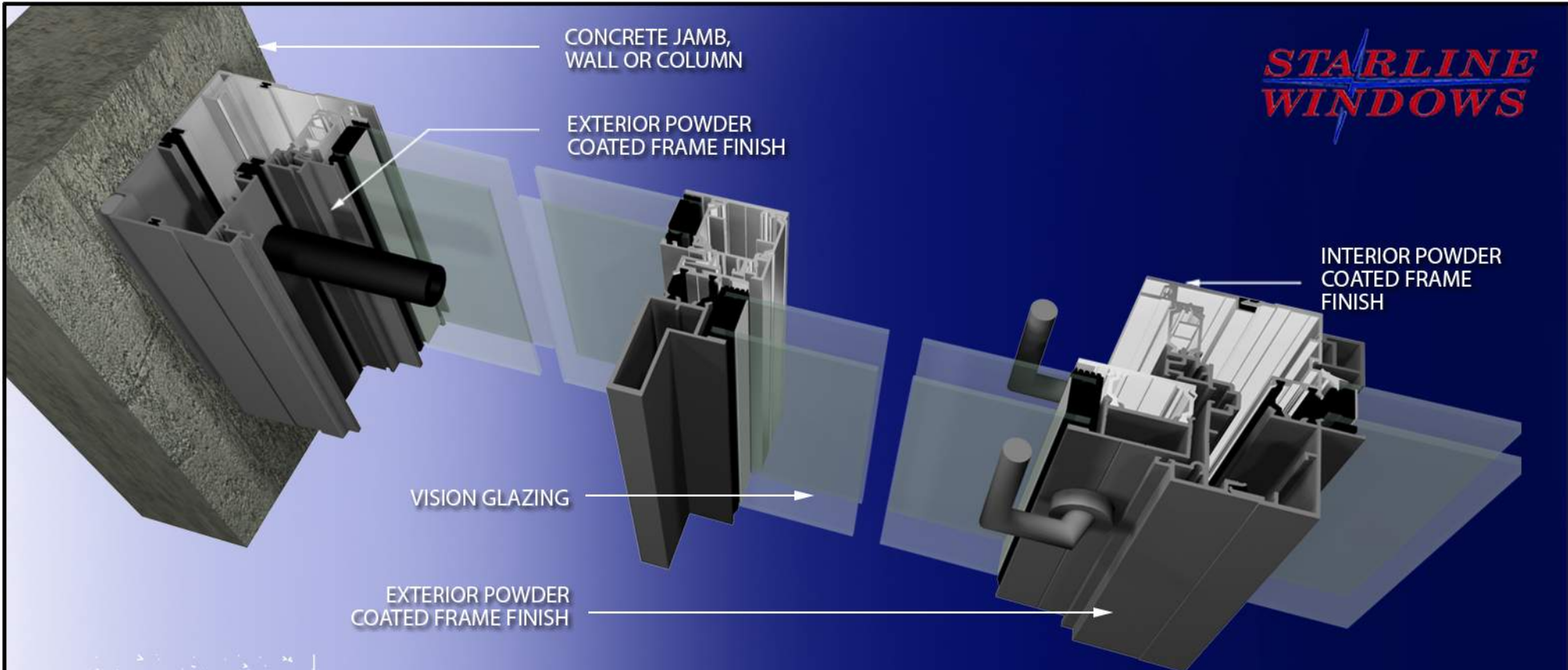
S.R.R.

DATE:

MAY 2020

DWG NO:

4500R - DWG 3



SERIES 4500R - SEISMIC JAMB, INTERLOCK & 180 DEGREE COUPLER

THIS DETAIL IS A SUGGESTED METHOD OF INSTALLATION AND DOES NOT REPRESENT A DETAIL THAT IS SUITABLE FOR A SPECIFIC PROJECT. TO CONFIRM PROJECT SPECIFIC DETAILS, PLEASE CHECK WITH YOUR WATERPROOFING/BUILDING ENVELOPE CONSULTANT.

DRAWINGS ARE SUBJECT TO CHANGE WITHOUT NOTICE

AUTHOR:

S.R.R.

DATE:

MAY 2020

DRAWING NUMBER:

4500R - DWG 4