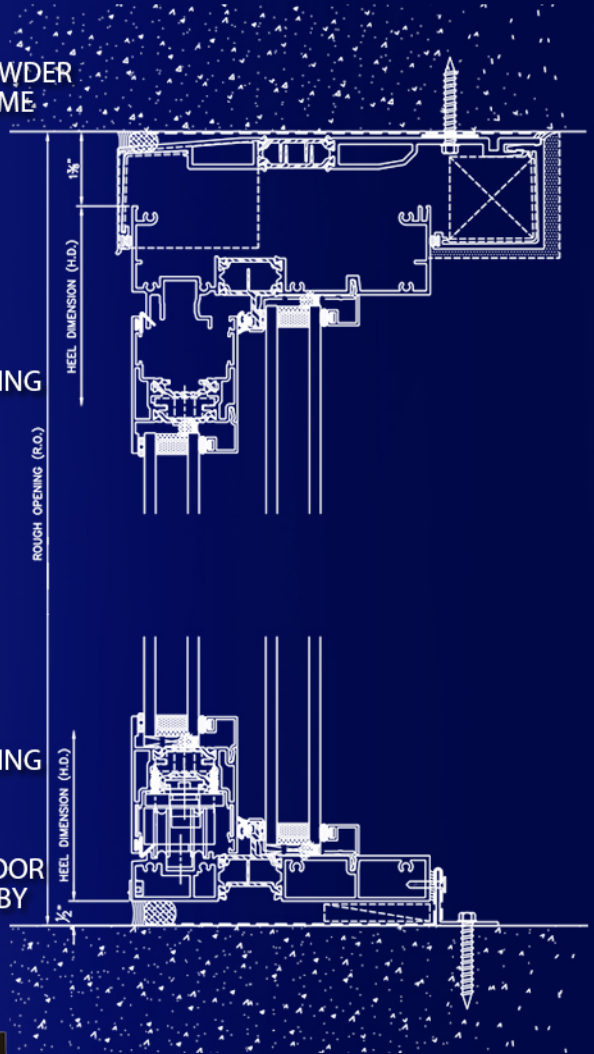
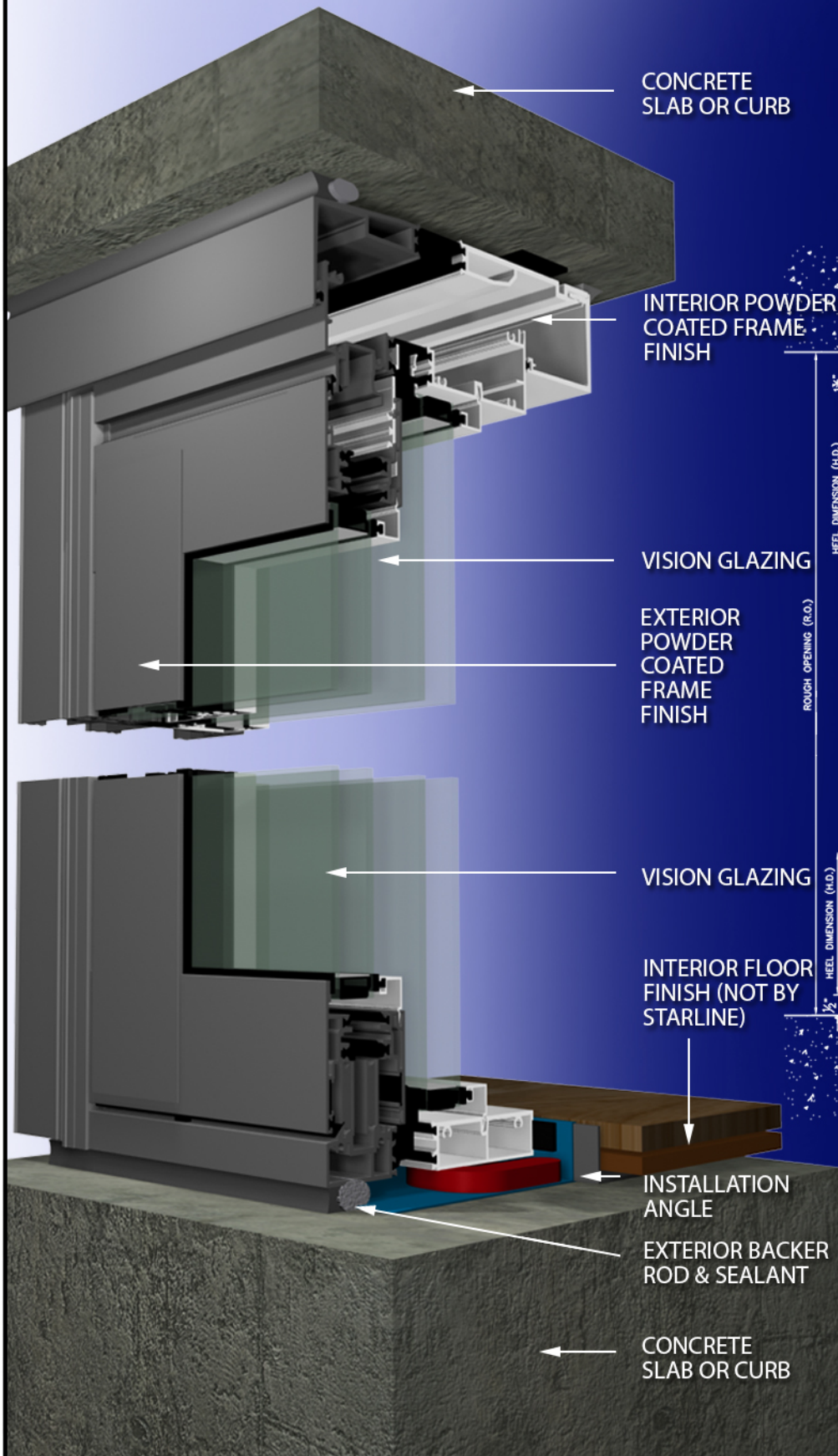


Series 4506 Product Renderings  
Aluminum Compression Seal Sliding Balcony Door  
Available in Double & Triple Glazed

**STARLINE**  
**WINDOWS**



Quality, Comfort & Peace of Mind



## SERIES 4506 - HEAD DEFLECTOR & SILL

THIS DETAIL IS A SUGGESTED METHOD OF INSTALLATION AND DOES NOT REPRESENT A DETAIL THAT IS SUITABLE FOR A SPECIFIC PROJECT. TO CONFIRM PROJECT SPECIFIC DETAILS, PLEASE CHECK WITH YOUR WATERPROOFING/BUILDING ENVELOPE CONSULTANT.

**DRAWINGS ARE SUBJECT TO  
CHANGE WITHOUT NOTICE**

**AUTHOR:**

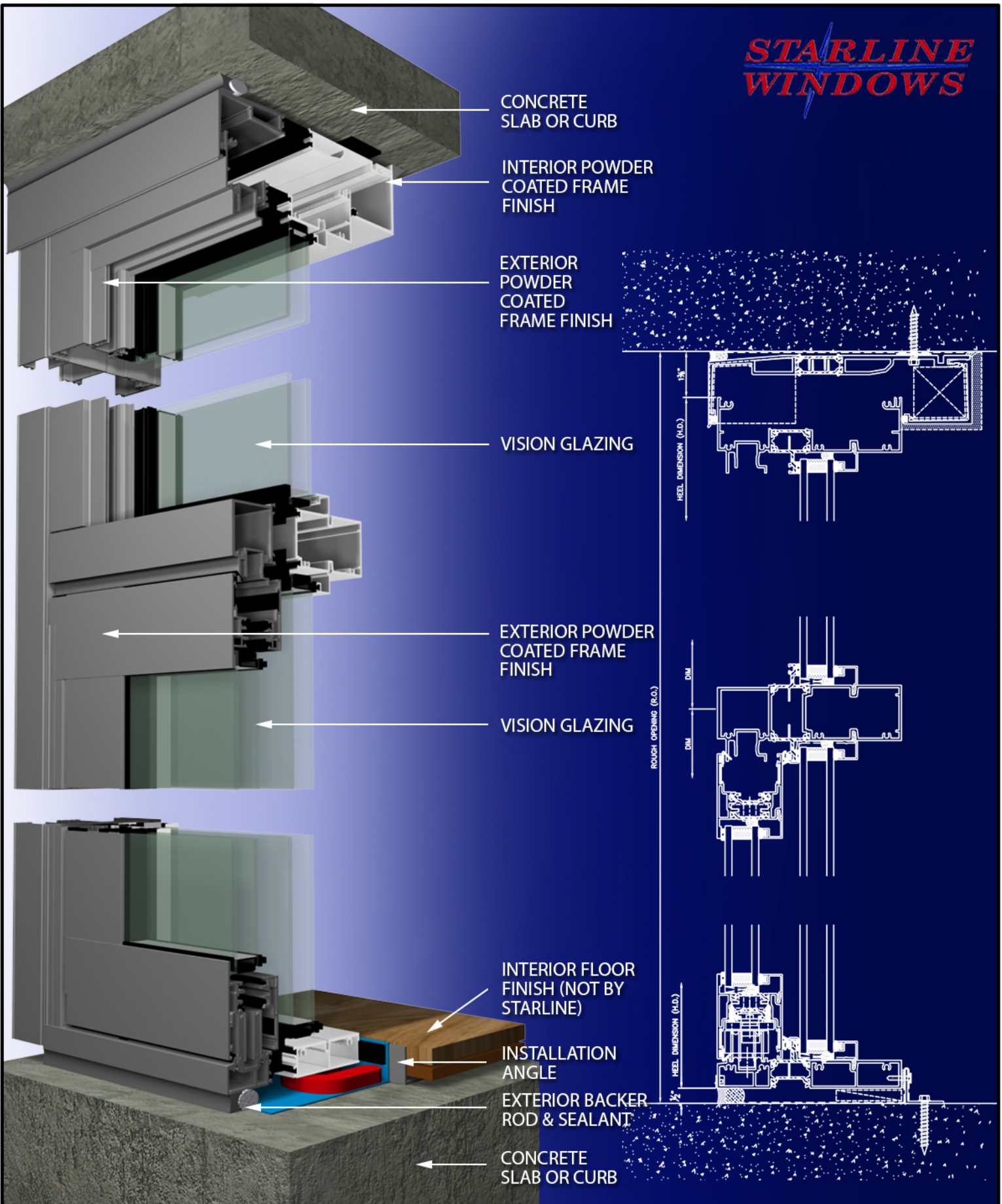
S.R.R.

**DATE:**

JUNE 2020

**DWG NO:**

4506 - DWG 1



## SERIES 4506 - HEAD DEFLECTOR, TRANSOM & SILL

THIS DETAIL IS A SUGGESTED METHOD OF INSTALLATION AND DOES NOT REPRESENT A DETAIL THAT IS SUITABLE FOR A SPECIFIC PROJECT. TO CONFIRM PROJECT SPECIFIC DETAILS, PLEASE CHECK WITH YOUR WATERPROOFING/BUILDING ENVELOPE CONSULTANT.

DRAWINGS ARE SUBJECT TO CHANGE WITHOUT NOTICE

AUTHOR:

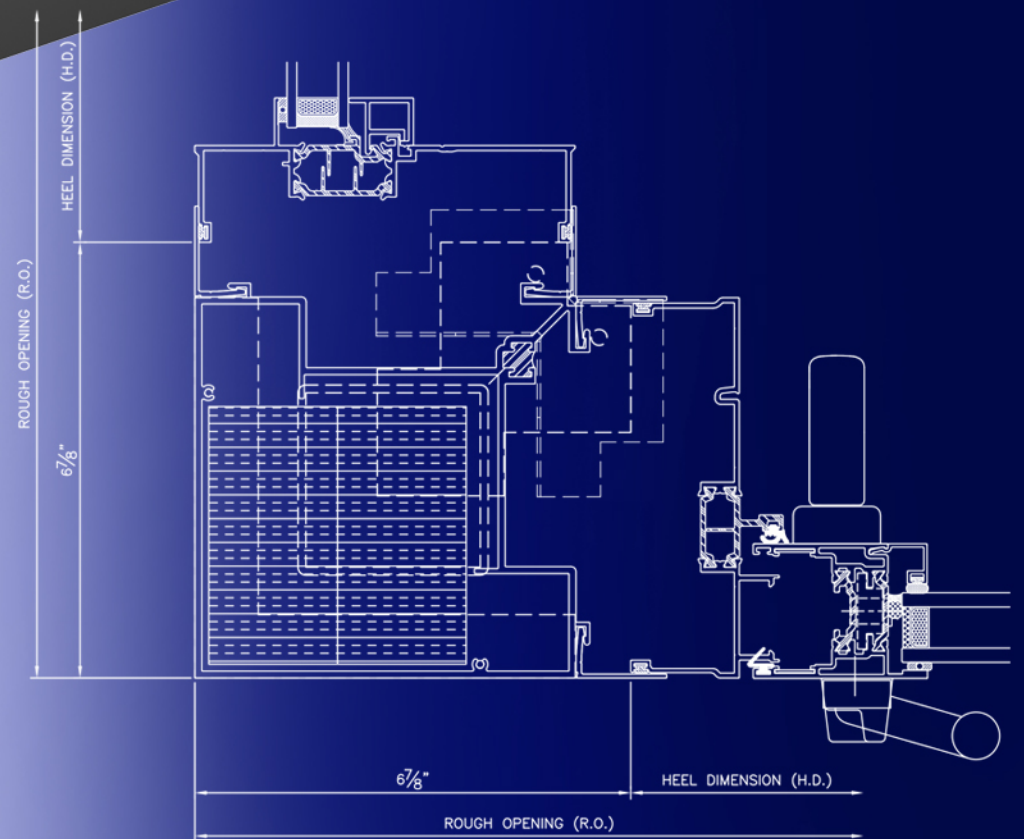
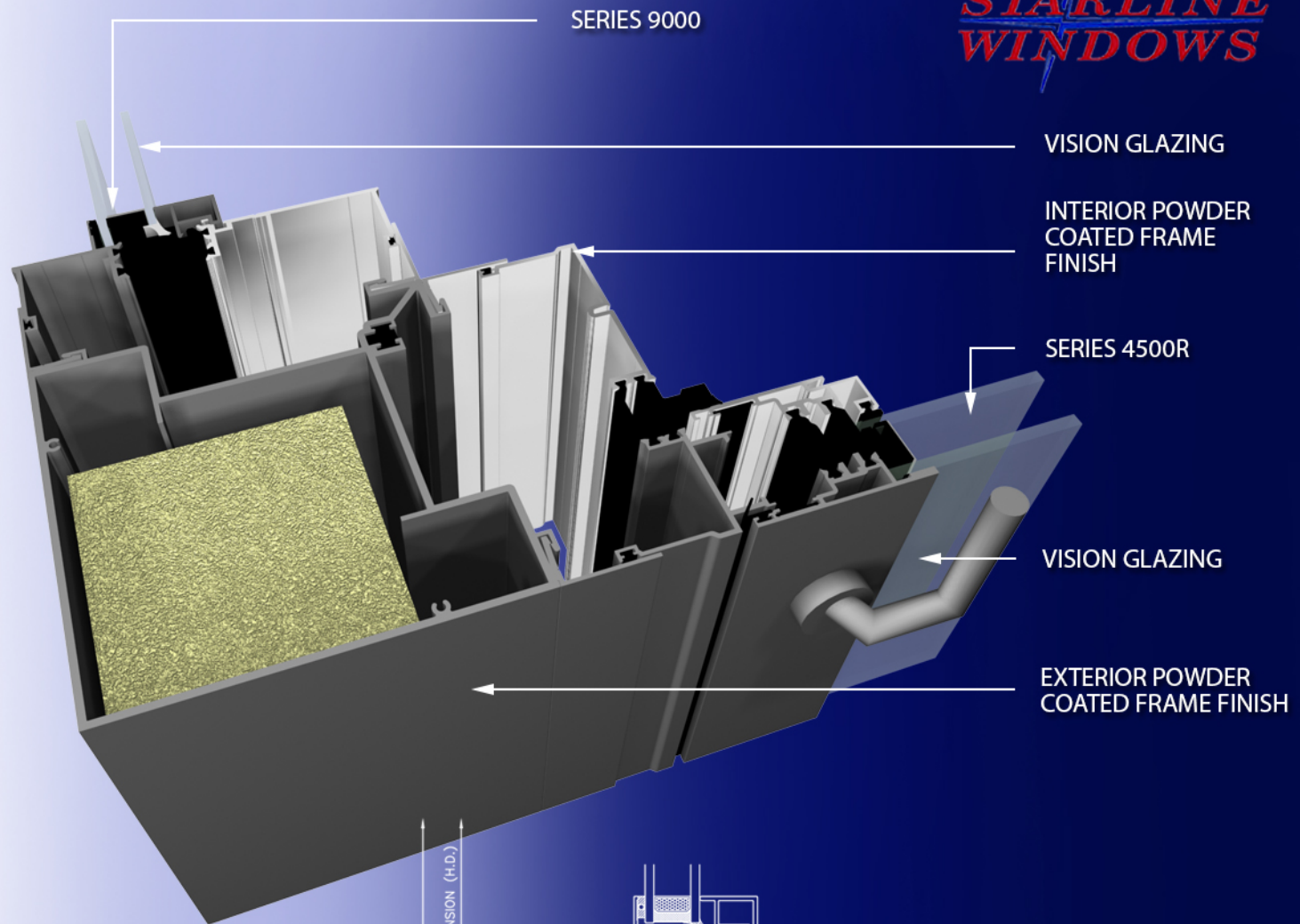
S.R.R.

DATE:

JUNE 2020

DWG NO:

4506 - DWG 2

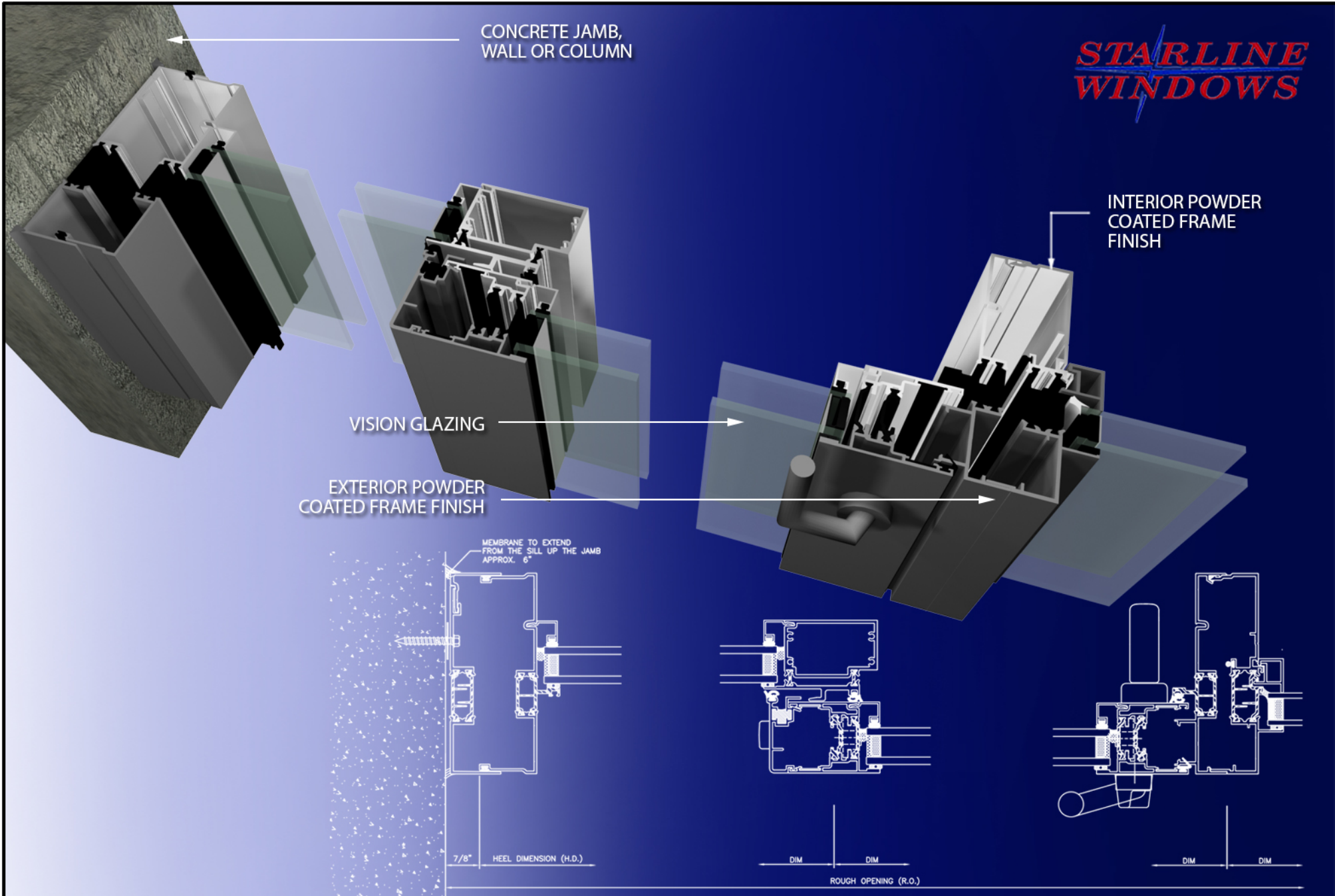


**SERIES 4506 - 90 DEGREE SEISMIC CORNER COUPLER**

THIS DETAIL IS A SUGGESTED METHOD OF INSTALLATION AND DOES NOT REPRESENT A DETAIL THAT IS SUITABLE FOR A SPECIFIC PROJECT. TO CONFIRM PROJECT SPECIFIC DETAILS, PLEASE CHECK WITH YOUR WATERPROOFING/BUILDING ENVELOPE CONSULTANT.

**DRAWINGS ARE SUBJECT TO CHANGE WITHOUT NOTICE**

<b>AUTHOR:</b>	<b>DATE:</b>	<b>DWG NO:</b>
S.R.R.	JUNE 2020	4506 - DWG 3

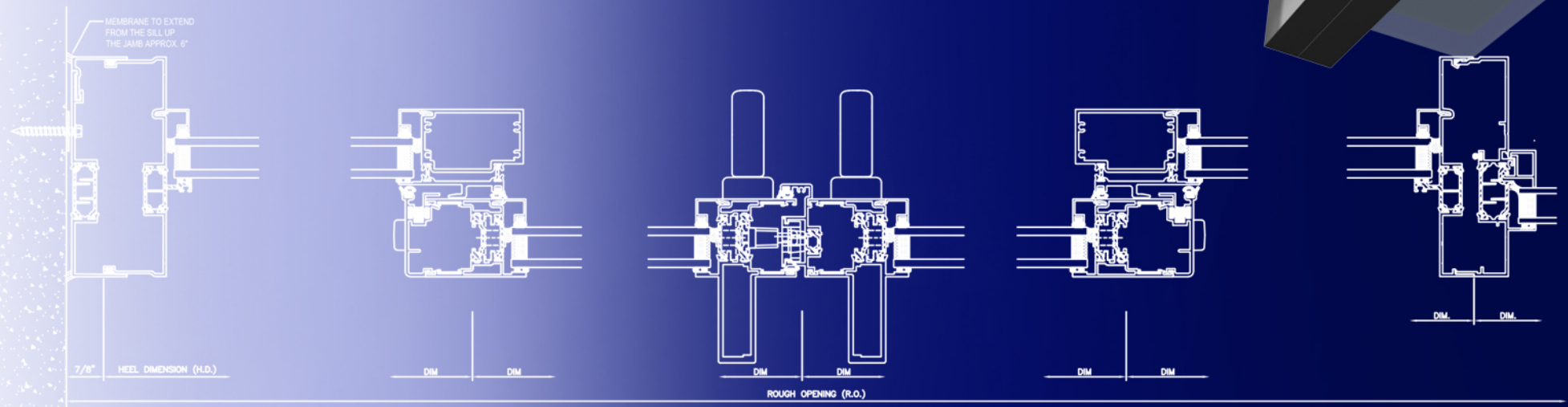
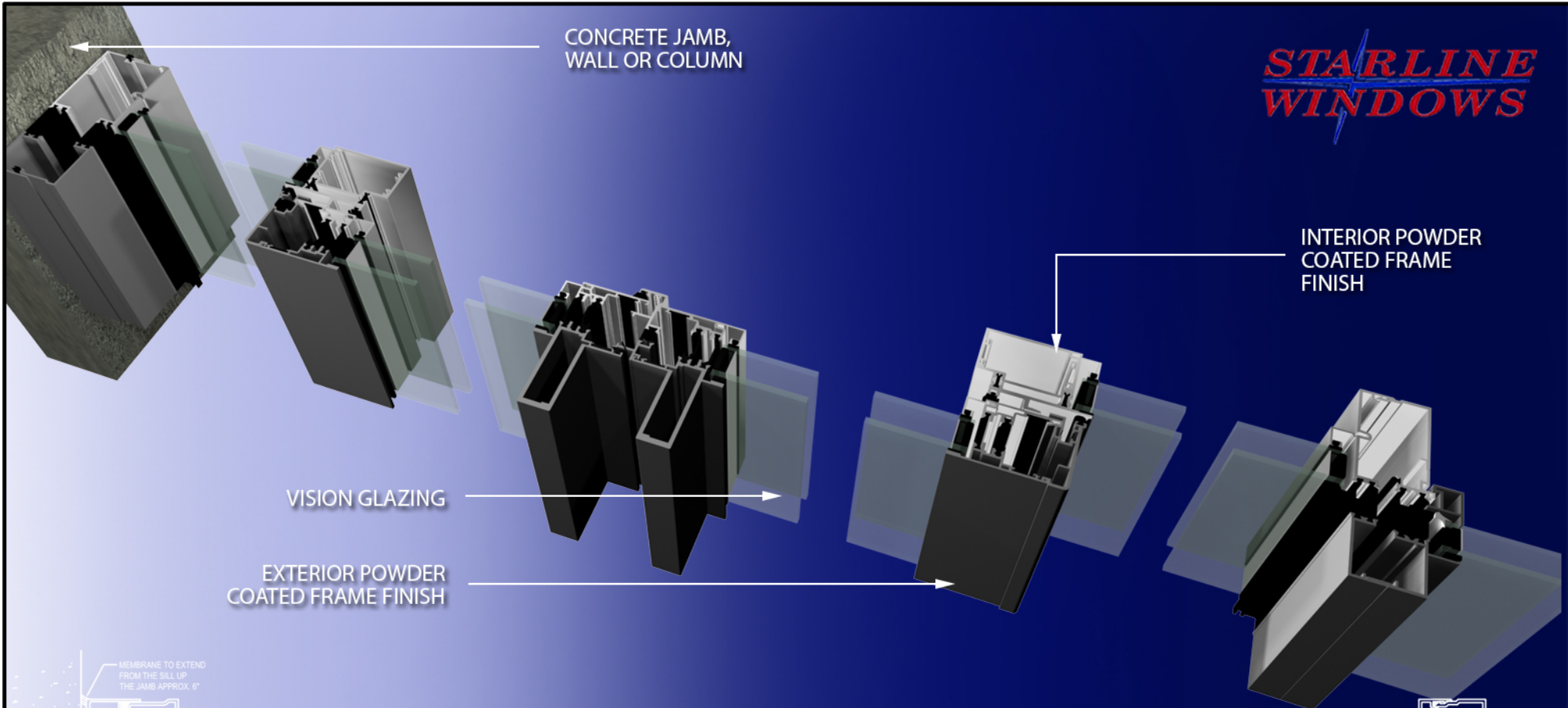


**SERIES 4506 OX CONFIGURATION - SEISMIC JAMB, INTERLOCK & 180 DEGREE COUPLER**

THIS DETAIL IS A SUGGESTED METHOD OF INSTALLATION AND DOES NOT REPRESENT A DETAIL THAT IS SUITABLE FOR A SPECIFIC PROJECT. TO CONFIRM PROJECT SPECIFIC DETAILS, PLEASE CHECK WITH YOUR WATERPROOFING/BUILDING ENVELOPE CONSULTANT.

**DRAWINGS ARE SUBJECT TO CHANGE WITHOUT NOTICE**

<b>AUTHOR:</b>	<b>DATE:</b>	<b>DRAWING NUMBER:</b>
S.R.R.	JUNE 2020	4506 - DWG 4



**SERIES 4506 OXXO CONFIGURATION - SEISMIC JAMB, INTERLOCK & 180 DEGREE COUPLER**

THIS DETAIL IS A SUGGESTED METHOD OF INSTALLATION AND DOES NOT REPRESENT A DETAIL THAT IS SUITABLE FOR A SPECIFIC PROJECT. TO CONFIRM PROJECT SPECIFIC DETAILS, PLEASE CHECK WITH YOUR WATERPROOFING/BUILDING ENVELOPE CONSULTANT.

**DRAWINGS ARE SUBJECT TO CHANGE WITHOUT NOTICE**

<b>AUTHOR:</b>	<b>DATE:</b>	<b>DRAWING NUMBER:</b>
S.R.R.	JUNE 2020	4506 - DWG 5