

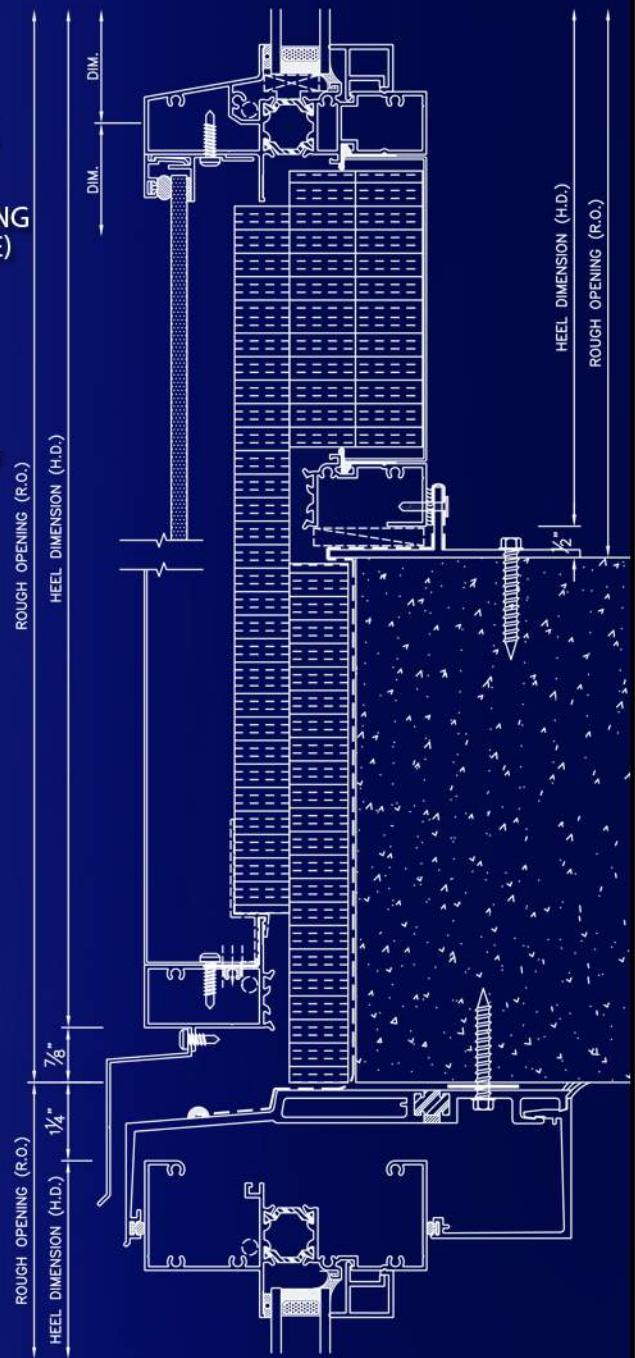
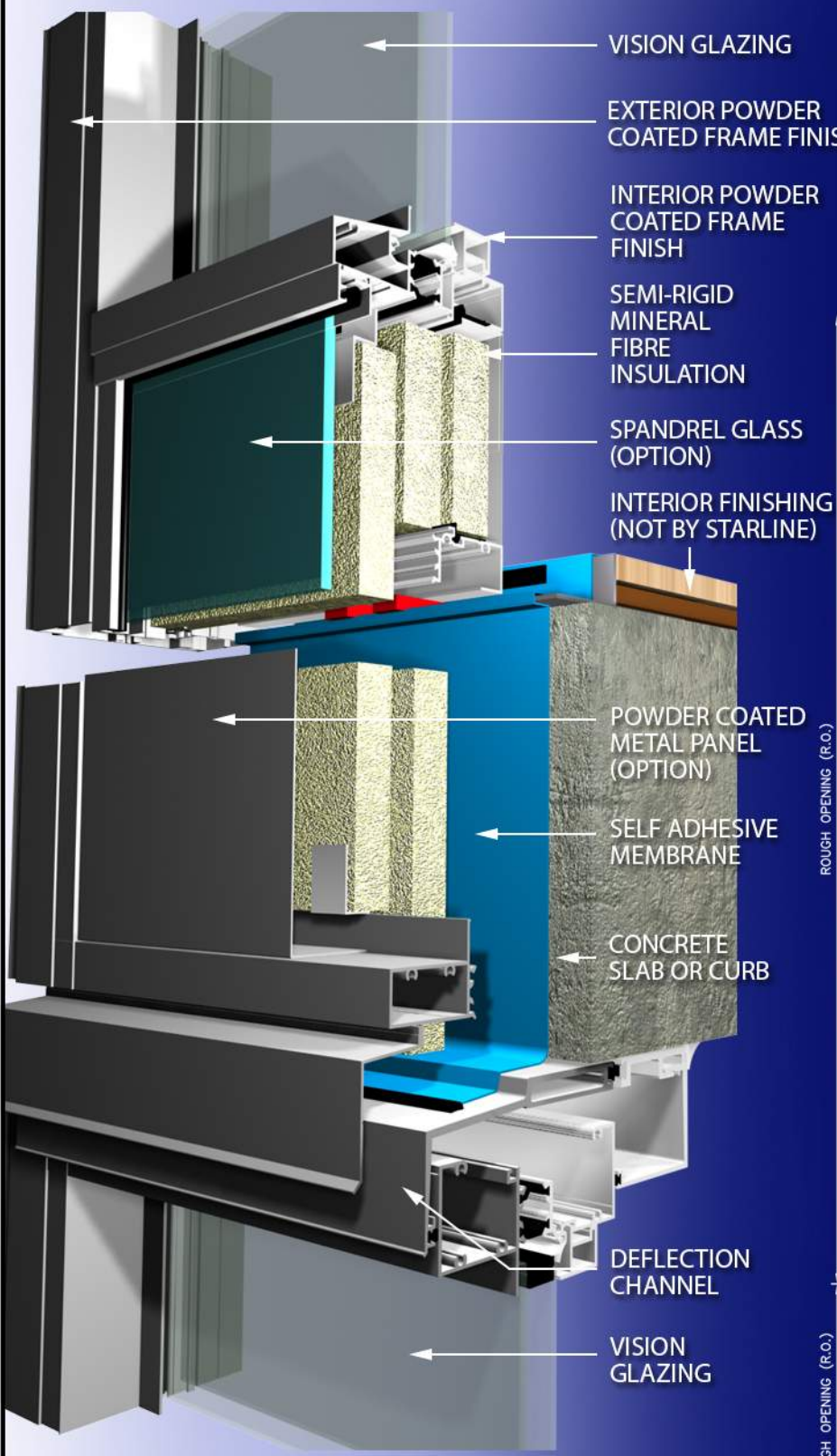
Series 9000 Product Renderings

STARLINE
WINDOWS

Aluminum Window Wall
Available in Double Glazed

Quality, Comfort & Peace of Mind



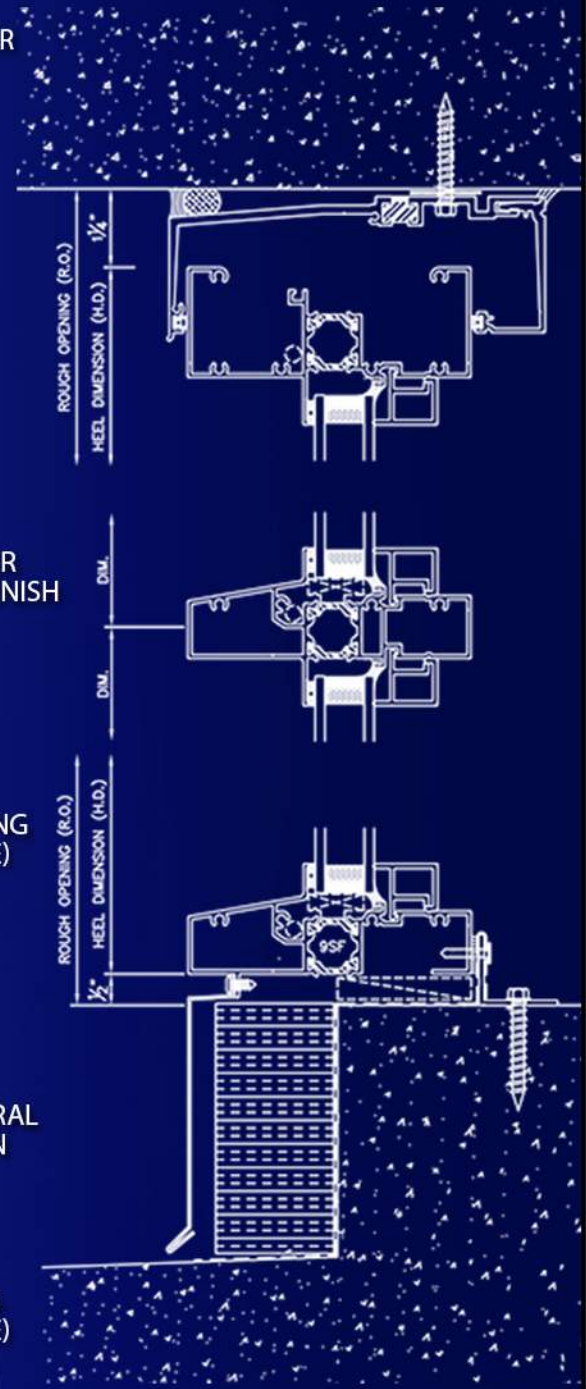
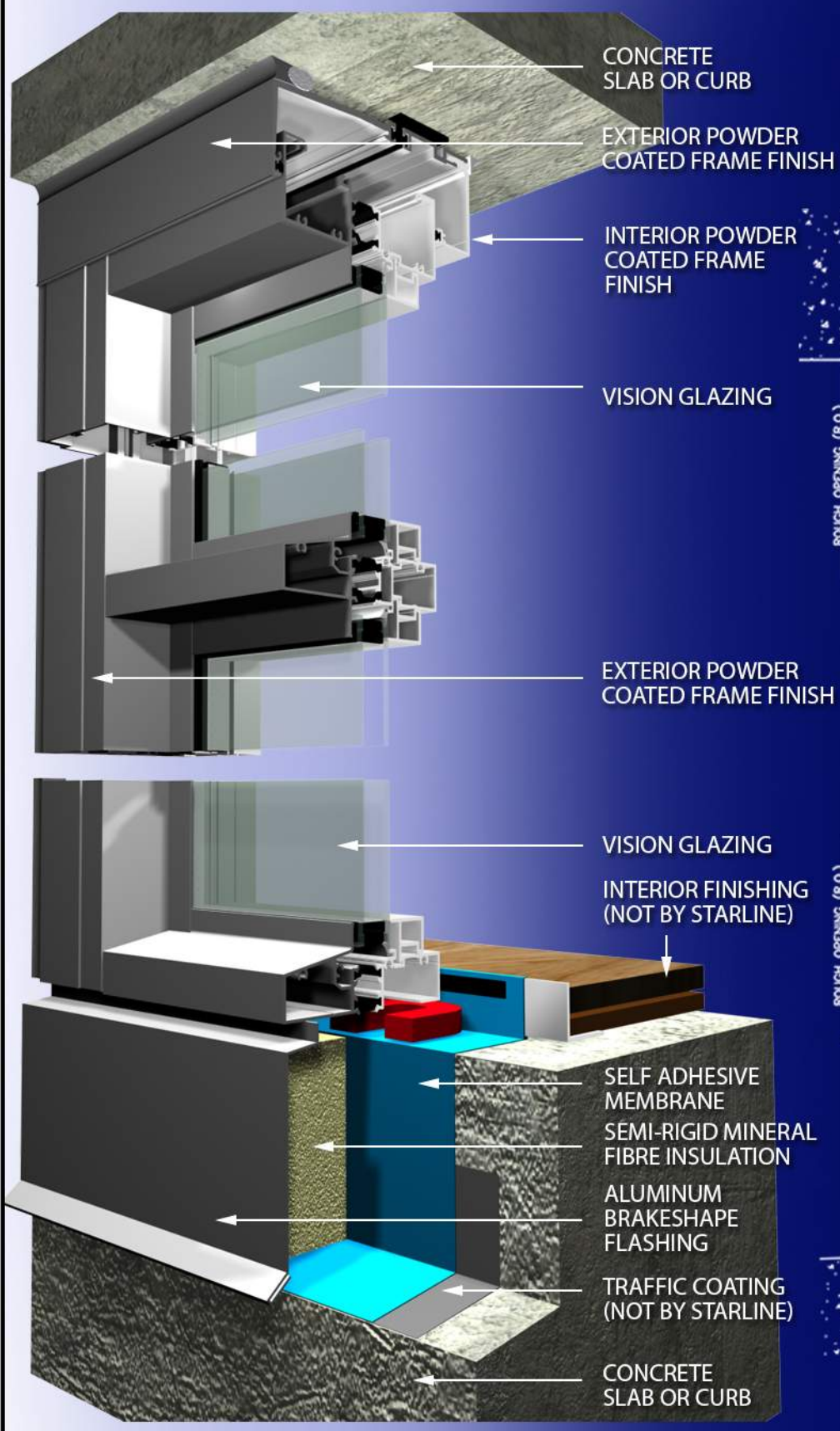


SERIES 9000 - BYPASS W/ HIGH T BAR & 7" HEAD DEFLECTOR WITH 1" CONTINUOUS INSULATION AT SLAB EDGE

THIS DETAIL IS A SUGGESTED METHOD OF INSTALLATION AND DOES NOT REPRESENT A DETAIL THAT IS SUITABLE FOR A SPECIFIC PROJECT. TO CONFIRM PROJECT SPECIFIC DETAILS, PLEASE CHECK WITH YOUR WATERPROOFING/BUILDING ENVELOPE CONSULTANT.

DRAWINGS ARE SUBJECT TO CHANGE WITHOUT NOTICE

AUTHOR:	DATE:	DWG NO:
S.R.R.	JULY 2017	9000 - DWG 3

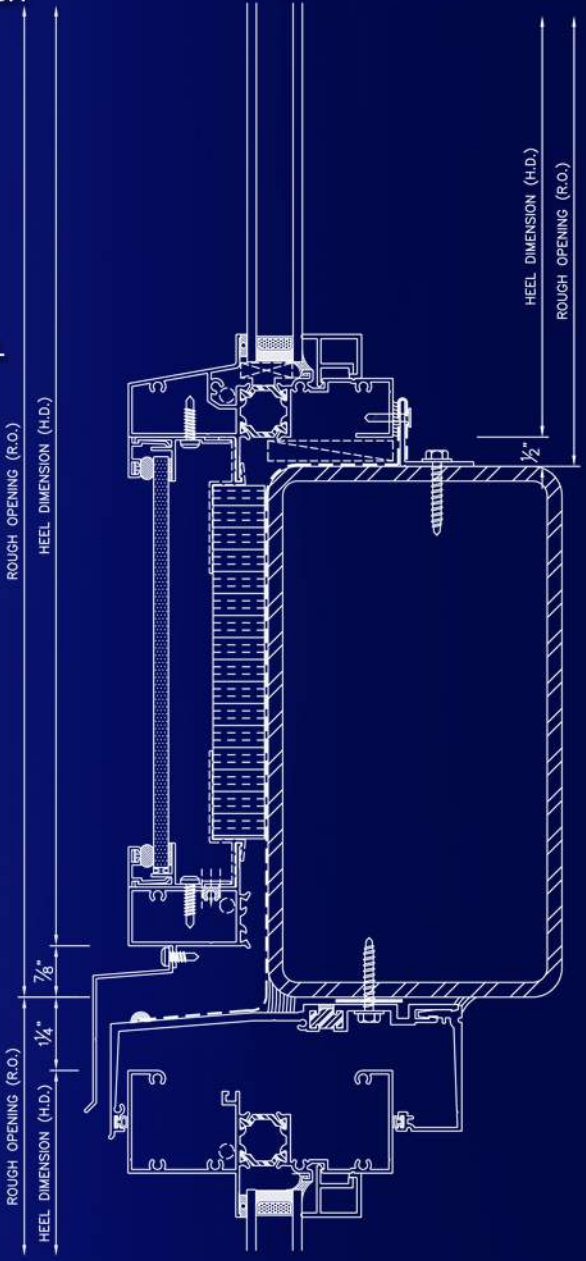
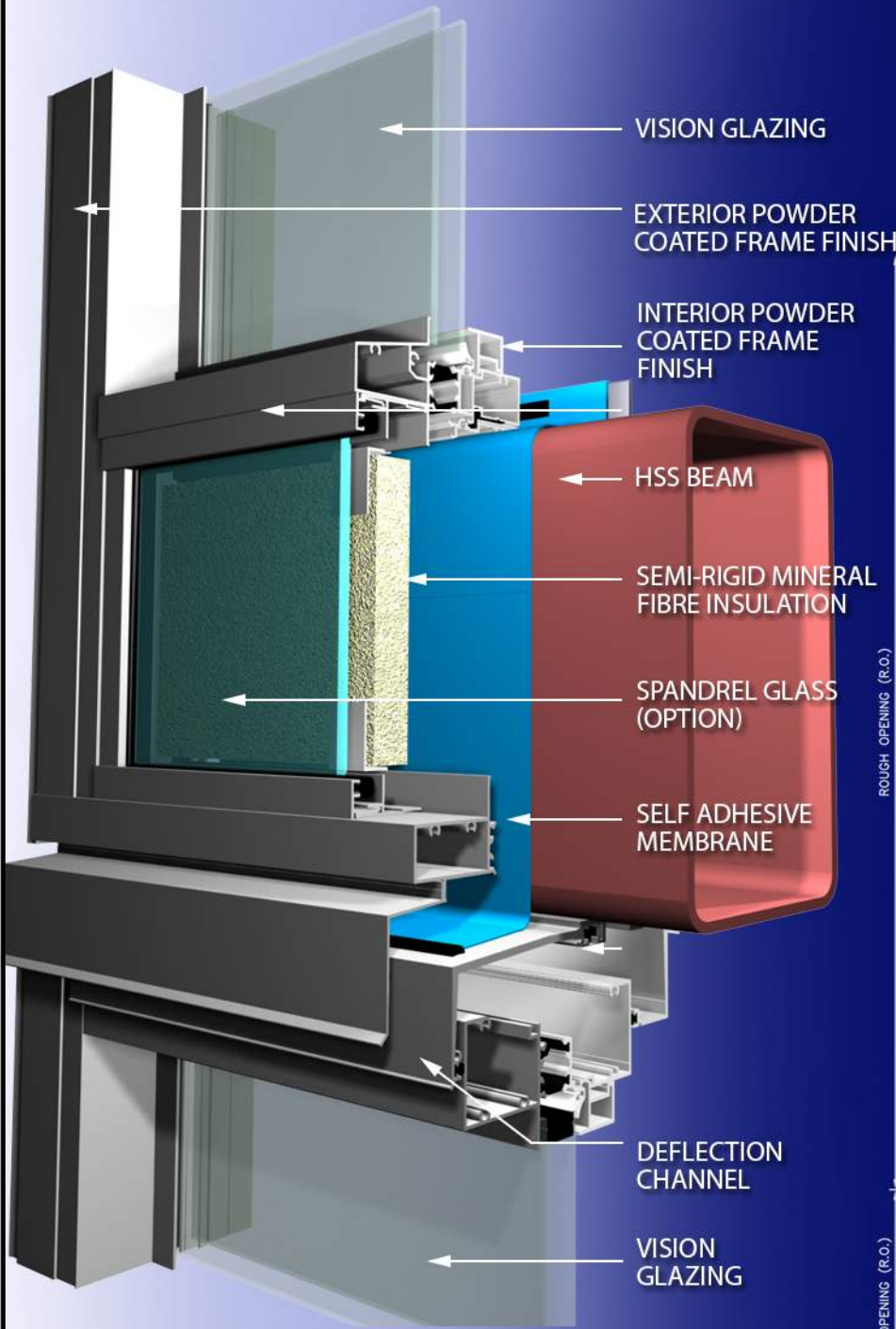


SERIES 9000 - HEAD DEFLECTOR, HORIZONTAL MULLION & SILL

THIS DETAIL IS A SUGGESTED METHOD OF INSTALLATION AND DOES NOT REPRESENT A DETAIL THAT IS SUITABLE FOR A SPECIFIC PROJECT. TO CONFIRM PROJECT SPECIFIC DETAILS, PLEASE CHECK WITH YOUR WATERPROOFING/BUILDING ENVELOPE CONSULTANT.

DRAWINGS ARE SUBJECT TO CHANGE WITHOUT NOTICE

AUTHOR:	DATE:	DWG NO:
S.R.R.	JULY 2017	9000 - DWG 4



NOTE:
 DEPENDING ON SIZE OF H.S.S. SPANDREL GLASS
 MAY NOT BE AVAILABLE. THE MINIMUM SIZE
 FOR SPANDREL GLASS IS 7" X 14"

SERIES 9000 - BYPASS W/ H.S.S. CONDITION

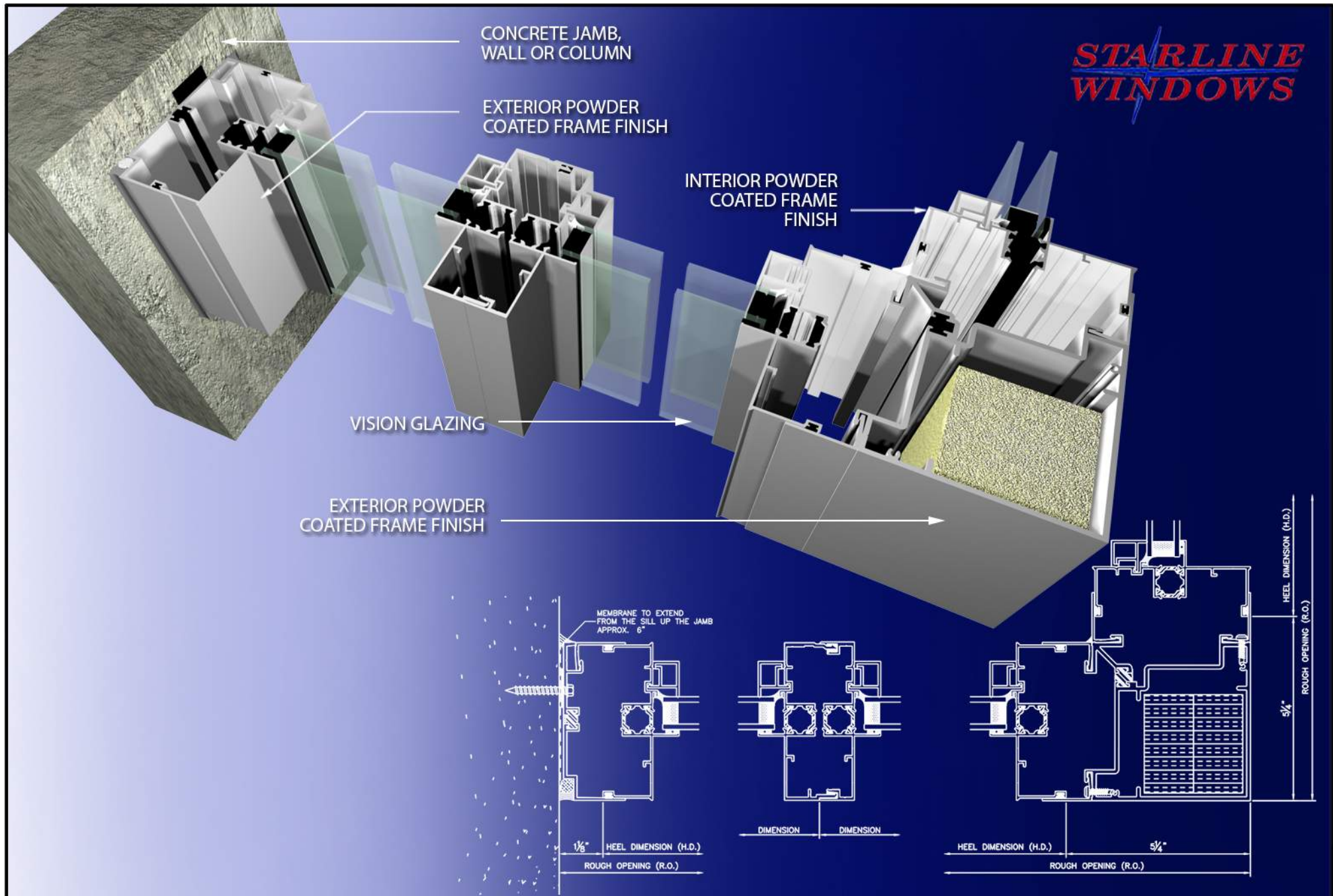
THIS DETAIL IS A SUGGESTED METHOD OF INSTALLATION AND DOES NOT REPRESENT A DETAIL THAT IS SUITABLE FOR A SPECIFIC PROJECT. TO CONFIRM PROJECT SPECIFIC DETAILS, PLEASE CHECK WITH YOUR WATERPROOFING/BUILDING ENVELOPE CONSULTANT.

**DRAWINGS ARE SUBJECT TO
 CHANGE WITHOUT NOTICE**

AUTHOR:
 S.R.R.

DATE:
 JULY 2017

DWG NO:
 9000 - DWG 5



SERIES 9000 - SEISMIC JAMB, 180 DEGREE COUPLER & 90 DEGREE CORNER COUPLER

THIS DETAIL IS A SUGGESTED METHOD OF INSTALLATION AND DOES NOT REPRESENT A DETAIL THAT IS SUITABLE FOR A SPECIFIC PROJECT. TO CONFIRM PROJECT SPECIFIC DETAILS, PLEASE CHECK WITH YOUR WATERPROOFING/BUILDING ENVELOPE CONSULTANT.

DRAWINGS ARE SUBJECT TO CHANGE WITHOUT NOTICE

AUTHOR:

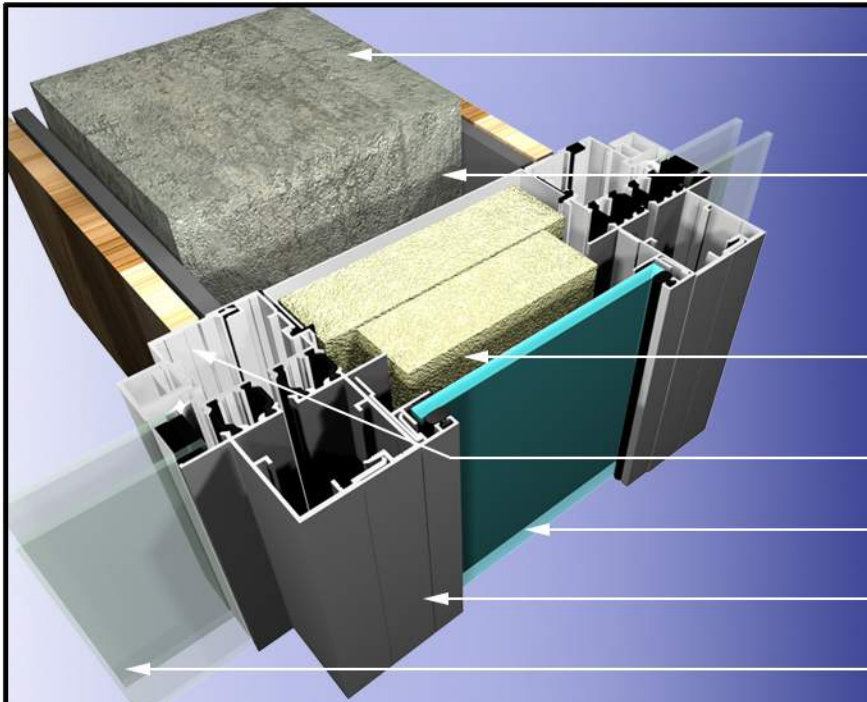
S.R.R.

DATE:

JULY 2017

DRAWING NUMBER:

9000 - DWG 7



CONCRETE COLUMN
MINIMUM 3" REQUIRED
BETWEEN CONCRETE
STRUCTURE & WINDOW
FRAME. THIS DIMENSION
MAY BE REQUIRED TO BE
GREATER THAN 3" DEPENDING
ON THE SIZE OF THE
CONCRETE STRUCTURE

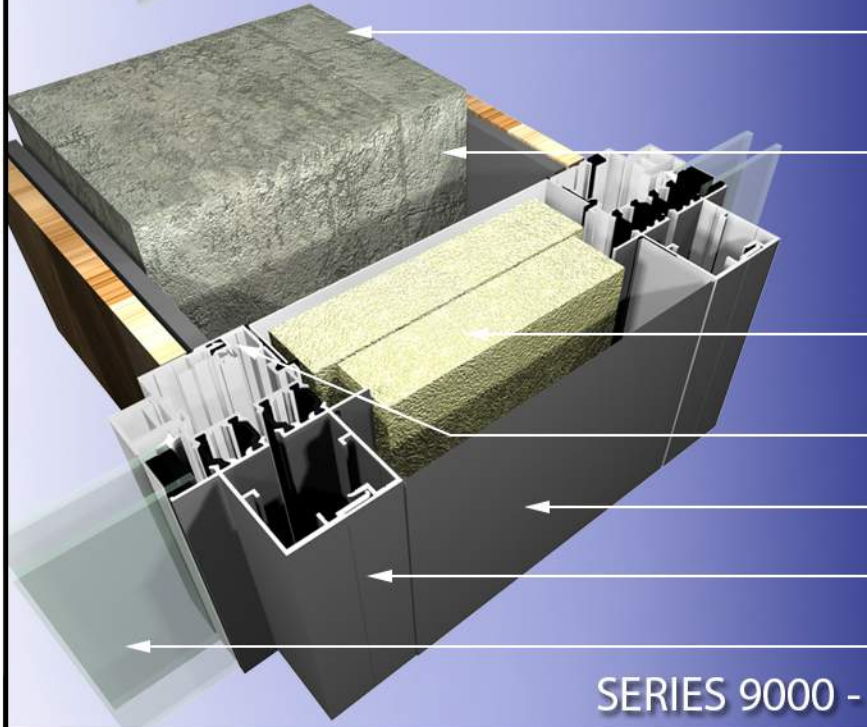
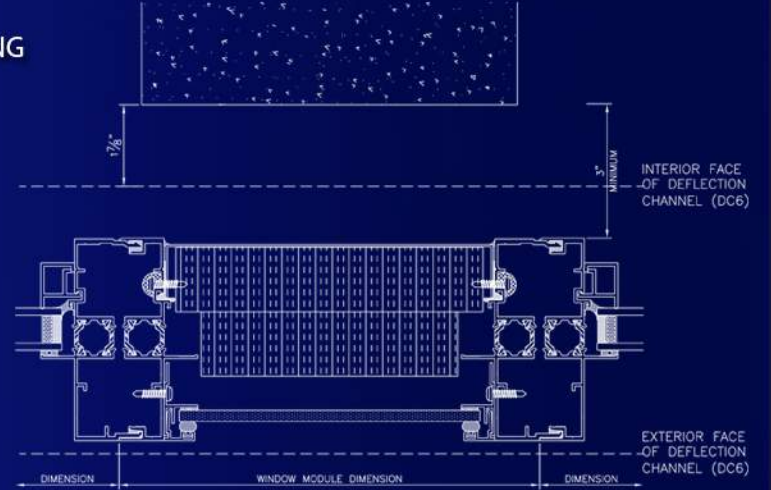
SEMI-RIGID MINERAL
FIBRE INSULATION

INTERIOR POWDER
COATED FRAME
FINISH

SPANDREL GLASS
(OPTION)

EXTERIOR POWDER
COATED FRAME
FINISH

VISION GLAZING



CONCRETE COLUMN
MINIMUM 4" REQUIRED
BETWEEN CONCRETE
STRUCTURE & WINDOW
FRAME. THIS DIMENSION
MAY BE REQUIRED TO BE
GREATER THAN 4" DEPENDING
ON THE SIZE OF THE
CONCRETE STRUCTURE

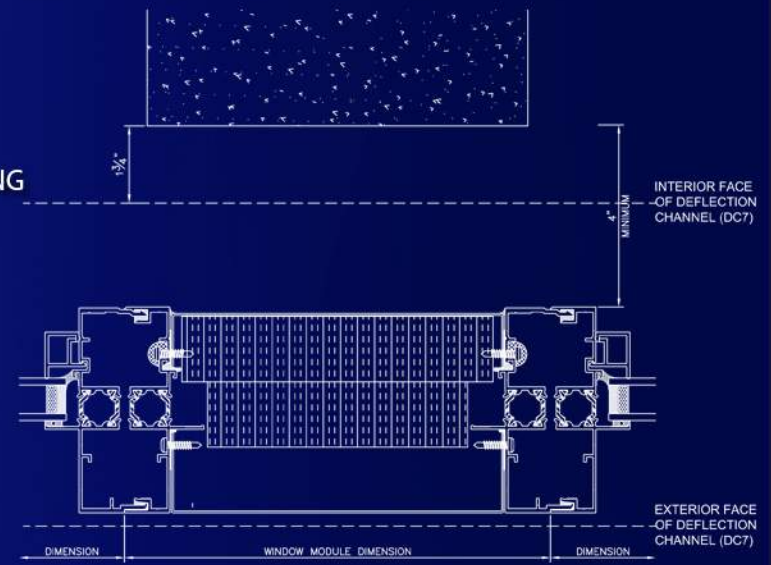
SEMI-RIGID MINERAL
FIBRE INSULATION

INTERIOR POWDER
COATED FRAME
FINISH

POWDER COATED
METAL PANEL (OPTION)

EXTERIOR POWDER
COATED FRAME
FINISH

VISION GLAZING



SERIES 9000 - DC6 & DC7 OPTIONS IN FRONT OF CONCRETE COLUMN

THIS DETAIL IS A SUGGESTED METHOD OF INSTALLATION AND DOES NOT REPRESENT A DETAIL THAT IS SUITABLE FOR A SPECIFIC PROJECT. TO CONFIRM PROJECT SPECIFIC DETAILS, PLEASE CHECK WITH YOUR WATERPROOFING/BUILDING ENVELOPE CONSULTANT.

DRAWINGS ARE SUBJECT TO CHANGE WITHOUT NOTICE

AUTHOR:	DATE:	DRAWING NUMBER:
S.R.R.	JULY 2017	9000 - DWG 8