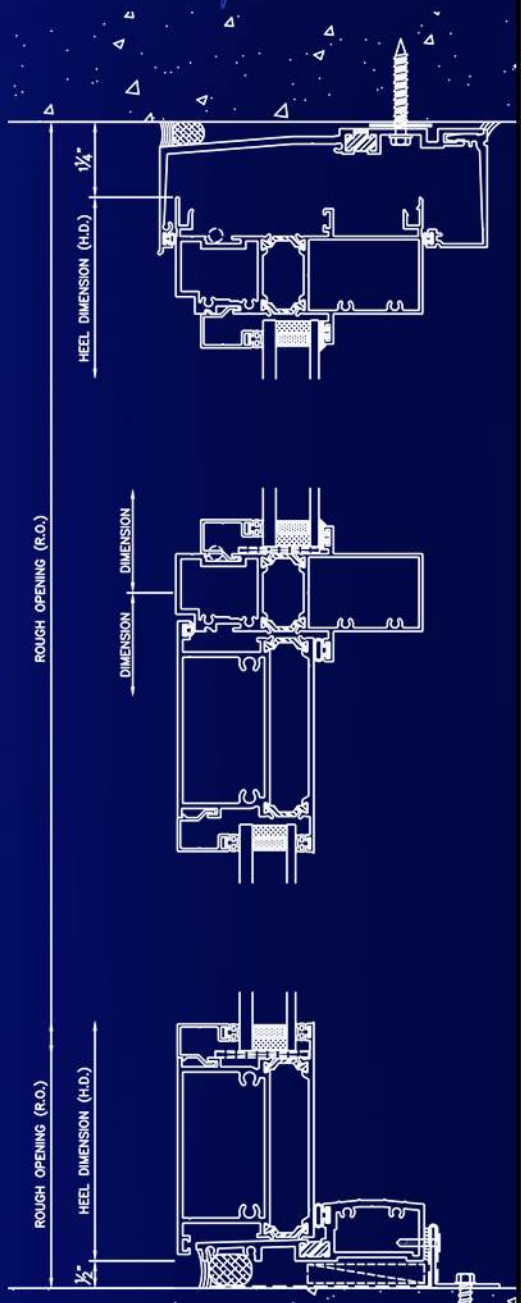
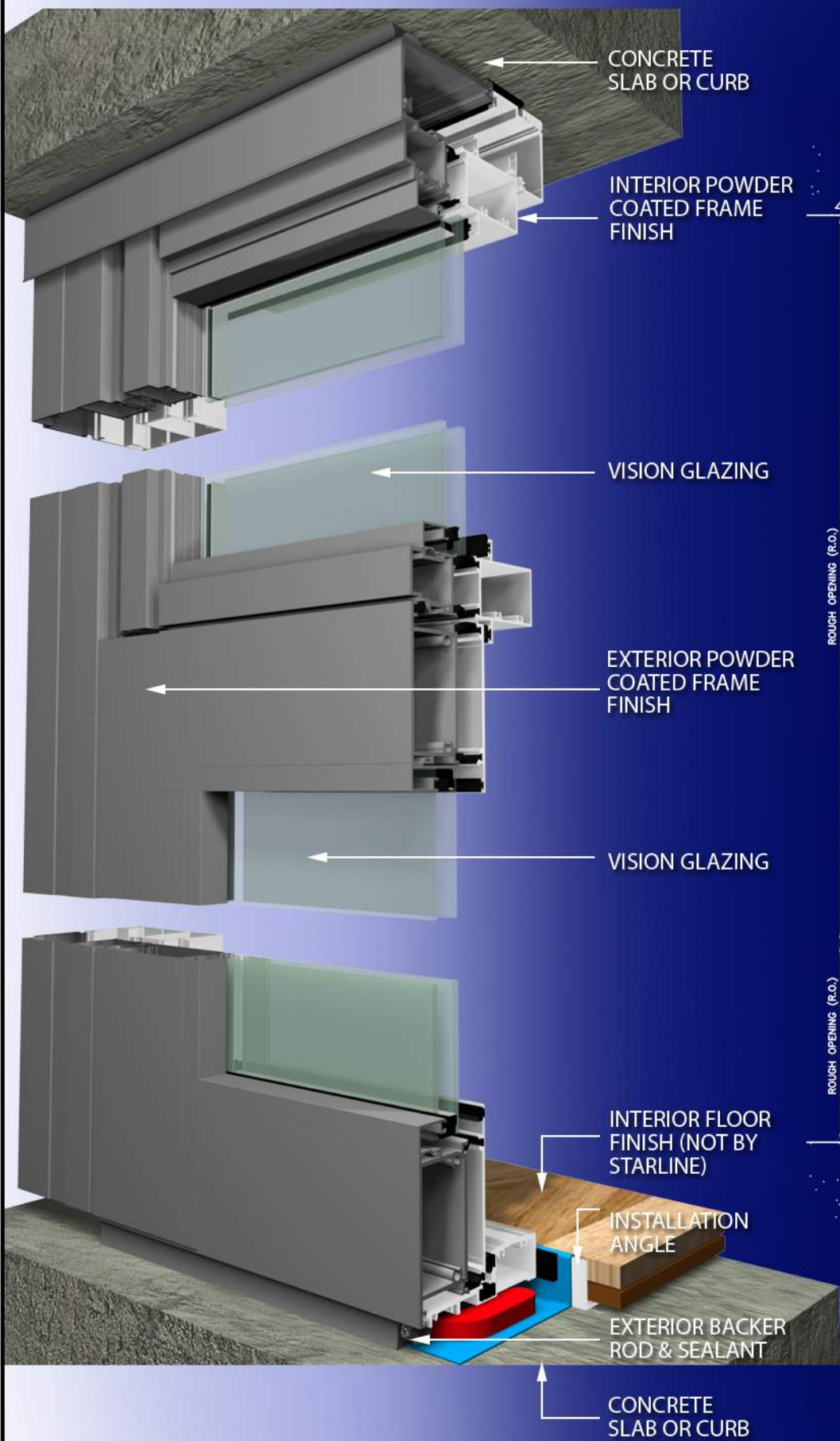


STARLINE
WINDOWS

Series 9502 Product Renderings
Aluminum Outswing Balcony Door
Available in Double & Triple Glazed

Quality, Comfort & Peace of Mind



SERIES 9502 - HEAD DEFLECTOR, TRANSOM & 1" STANDARD THRESHOLD

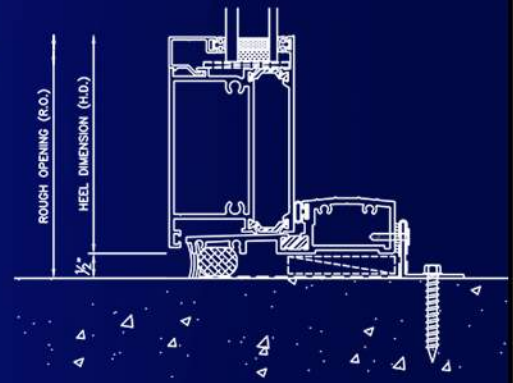
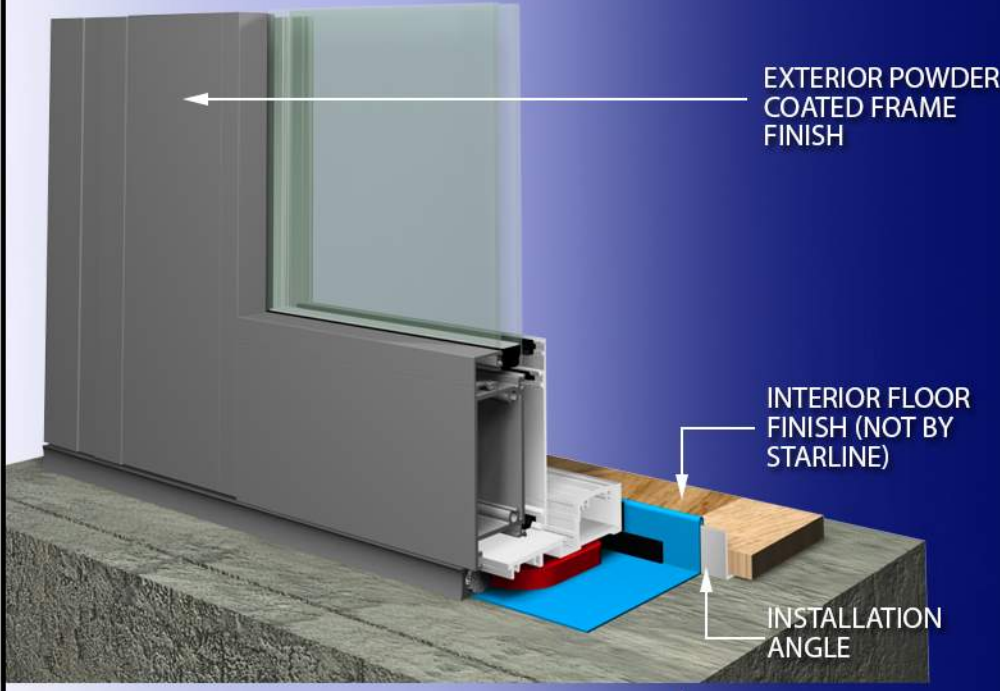
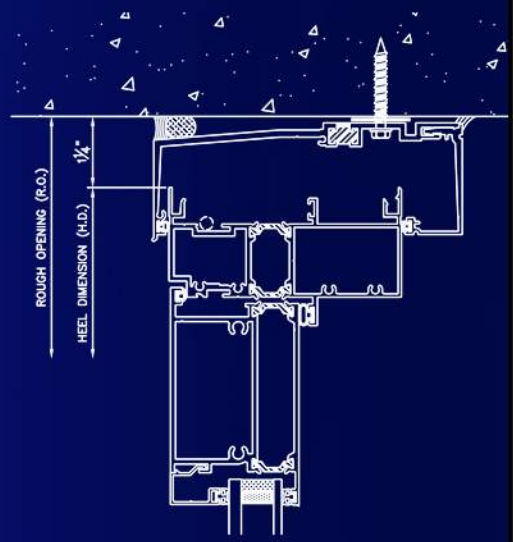
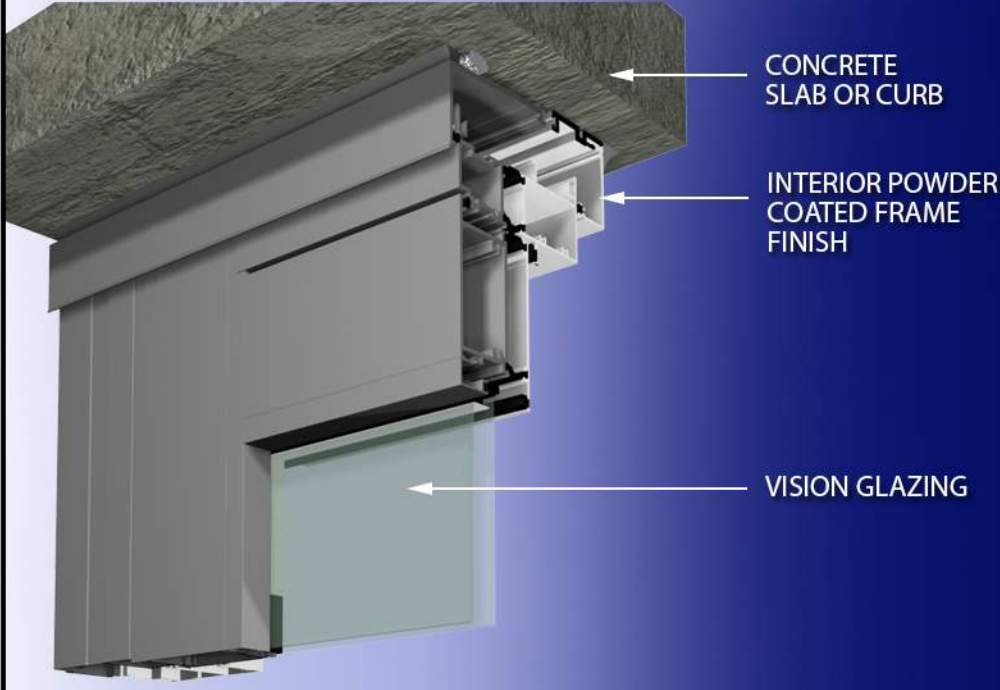
THIS DETAIL IS A SUGGESTED METHOD OF INSTALLATION AND DOES NOT REPRESENT A DETAIL THAT IS SUITABLE FOR A SPECIFIC PROJECT. TO CONFIRM PROJECT SPECIFIC DETAILS, PLEASE CHECK WITH YOUR WATERPROOFING/BUILDING ENVELOPE CONSULTANT.

DRAWINGS ARE SUBJECT TO CHANGE WITHOUT NOTICE

AUTHOR:
S.R.R.

DATE:
FEB. 2018

DWG NO:
9502 - DWG 1

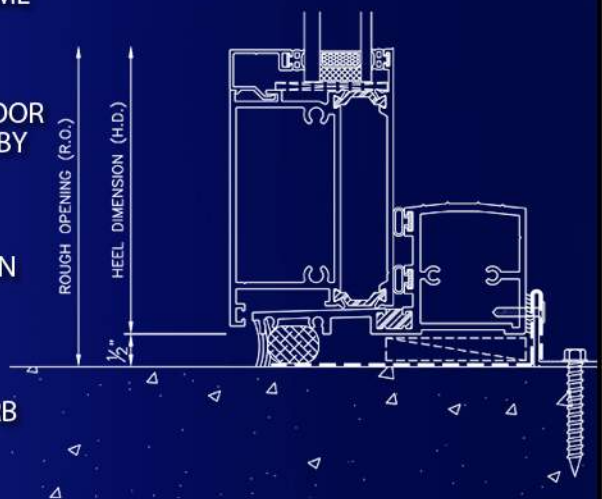
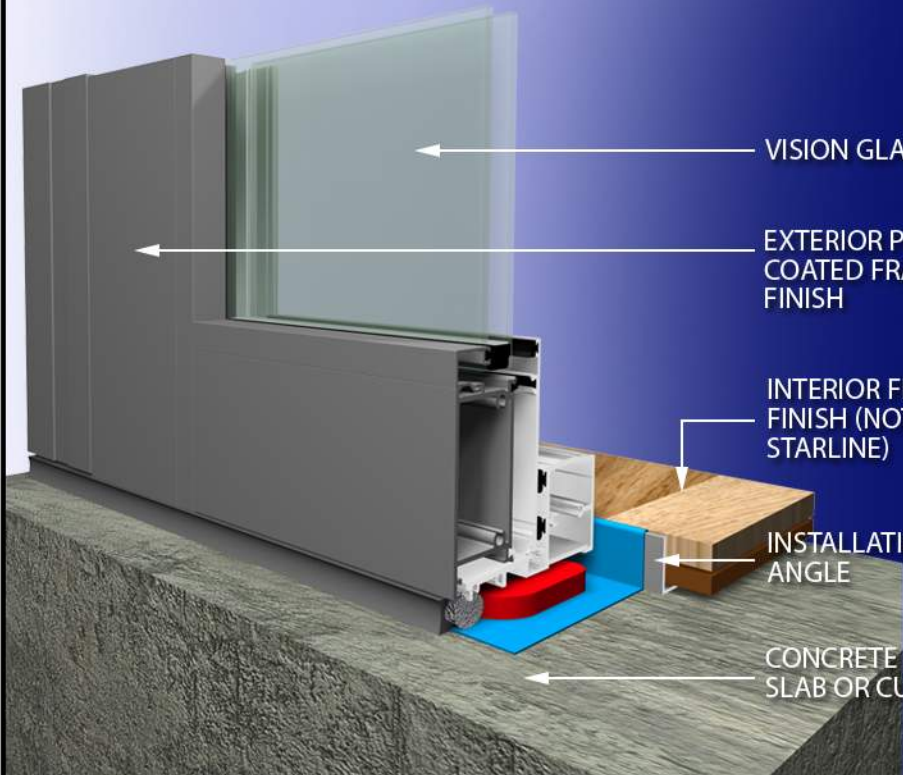


SERIES 9502 - HEAD DEFLECTOR & 1" STANDARD THRESHOLD

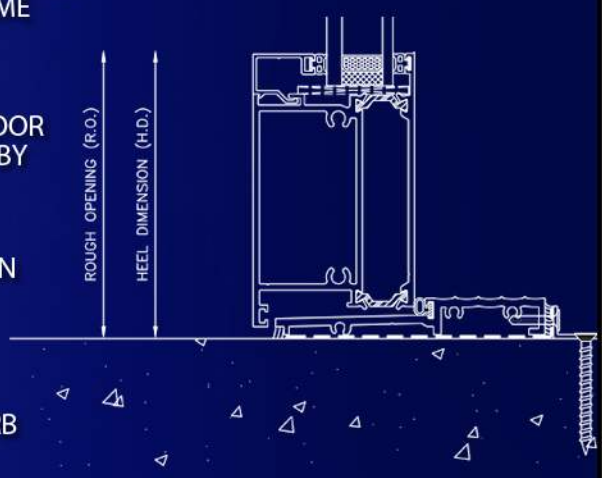
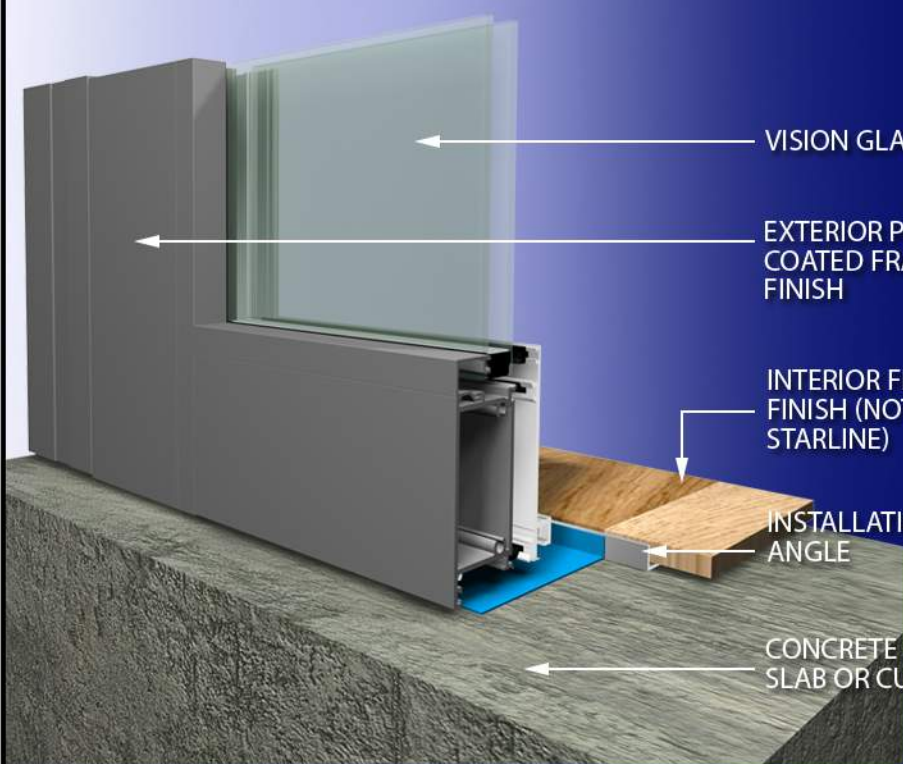
THIS DETAIL IS A SUGGESTED METHOD OF INSTALLATION AND DOES NOT REPRESENT A DETAIL THAT IS SUITABLE FOR A SPECIFIC PROJECT. TO CONFIRM PROJECT SPECIFIC DETAILS, PLEASE CHECK WITH YOUR WATERPROOFING/BUILDING ENVELOPE CONSULTANT.

DRAWINGS ARE SUBJECT TO CHANGE WITHOUT NOTICE

AUTHOR:	DATE:	DWG NO:
S.R.R.	APR. 2018	9502 - DWG 2



SERIES 9502 - 2" THRESHOLD

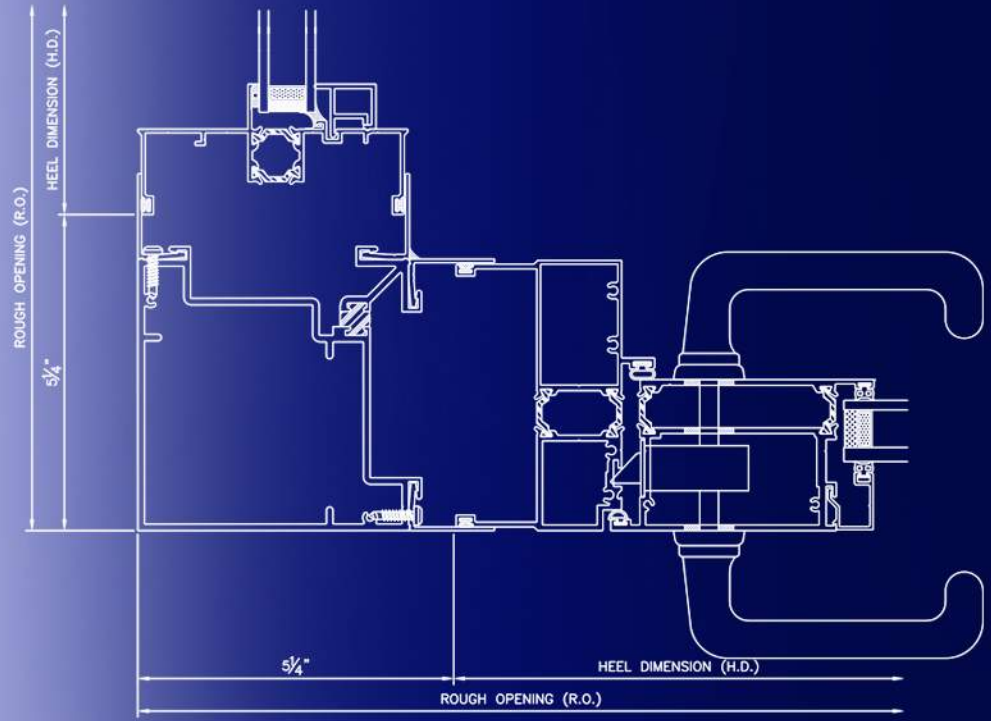
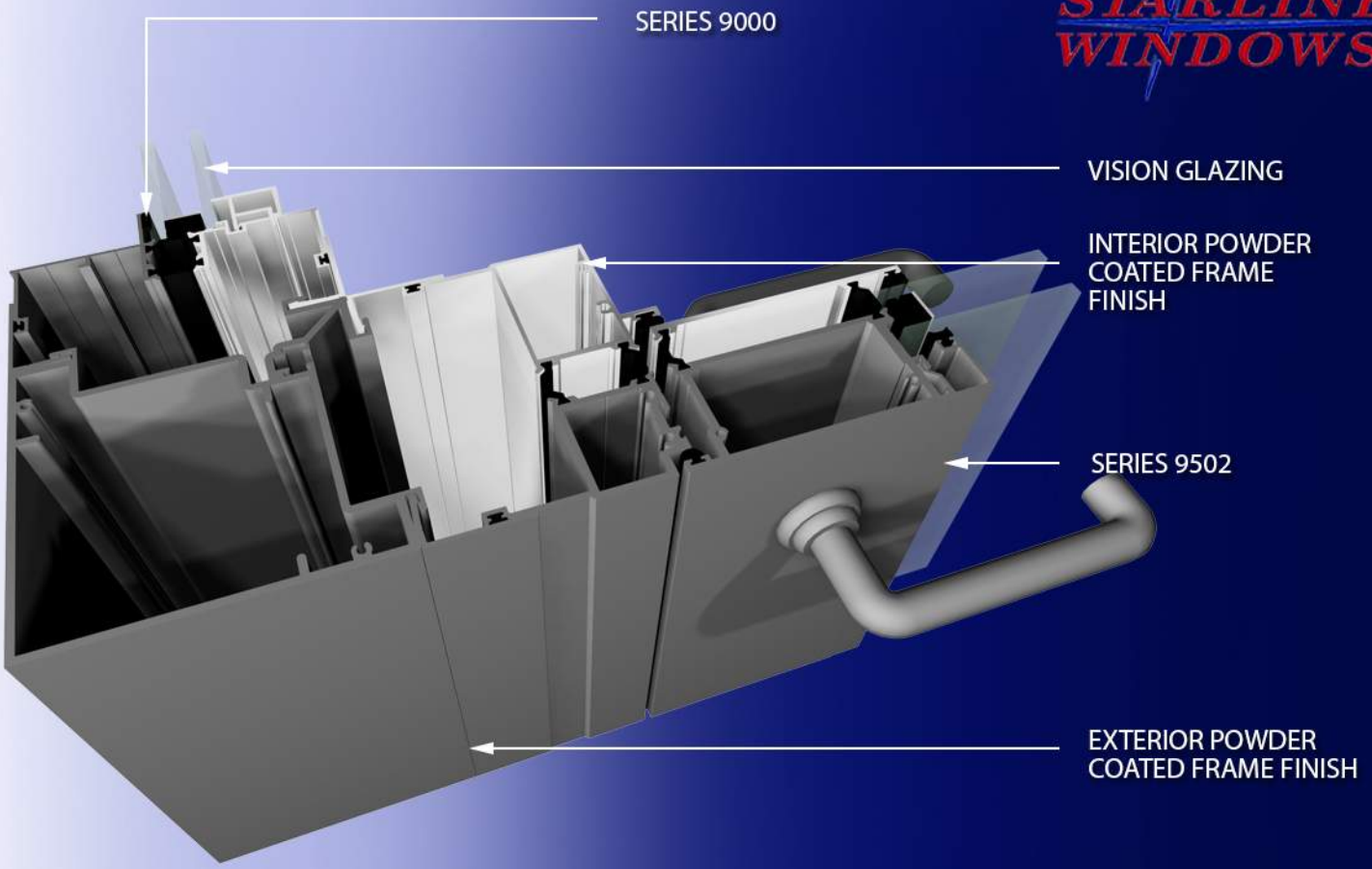


SERIES 9502 - ACCESSIBLE (ADA) THRESHOLD

THIS DETAIL IS A SUGGESTED METHOD OF INSTALLATION AND DOES NOT REPRESENT A DETAIL THAT IS SUITABLE FOR A SPECIFIC PROJECT. TO CONFIRM PROJECT SPECIFIC DETAILS, PLEASE CHECK WITH YOUR WATERPROOFING/BUILDING ENVELOPE CONSULTANT.

DRAWINGS ARE SUBJECT TO CHANGE WITHOUT NOTICE

AUTHOR:	DATE:	DWG NO:
S.R.R.	FEB. 2018	9502 - DWG 3

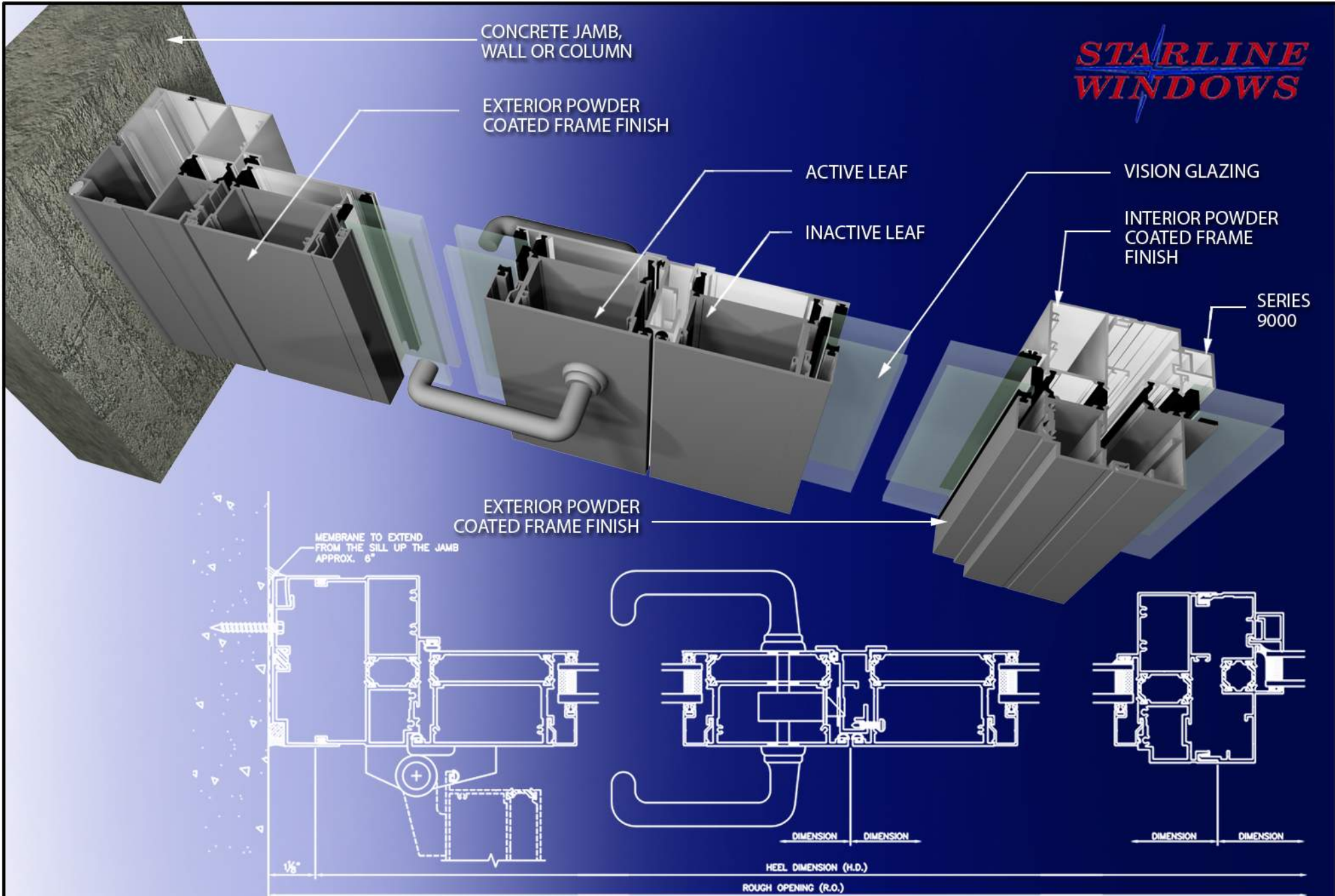


SERIES 9502 - 90 DEGREE SEISMIC CORNER COUPLER

THIS DETAIL IS A SUGGESTED METHOD OF INSTALLATION AND DOES NOT REPRESENT A DETAIL THAT IS SUITABLE FOR A SPECIFIC PROJECT. TO CONFIRM PROJECT SPECIFIC DETAILS, PLEASE CHECK WITH YOUR WATERPROOFING/BUILDING ENVELOPE CONSULTANT.

DRAWINGS ARE SUBJECT TO CHANGE WITHOUT NOTICE

AUTHOR:	DATE:	DWG NO:
S.R.R.	FEB. 2018	9502 - DWG 4



SERIES 9502 - FRENCH DOOR - SEISMIC JAMB, ASTRAGAL & 180 DEGREE COUPLER

THIS DETAIL IS A SUGGESTED METHOD OF INSTALLATION AND DOES NOT REPRESENT A DETAIL THAT IS SUITABLE FOR A SPECIFIC PROJECT. TO CONFIRM PROJECT SPECIFIC DETAILS, PLEASE CHECK WITH YOUR WATERPROOFING/BUILDING ENVELOPE CONSULTANT.

DRAWINGS ARE SUBJECT TO CHANGE WITHOUT NOTICE

AUTHOR:	DATE:	DRAWING NUMBER:
S.R.R.	FEB. 2018	9502 - DWG 5