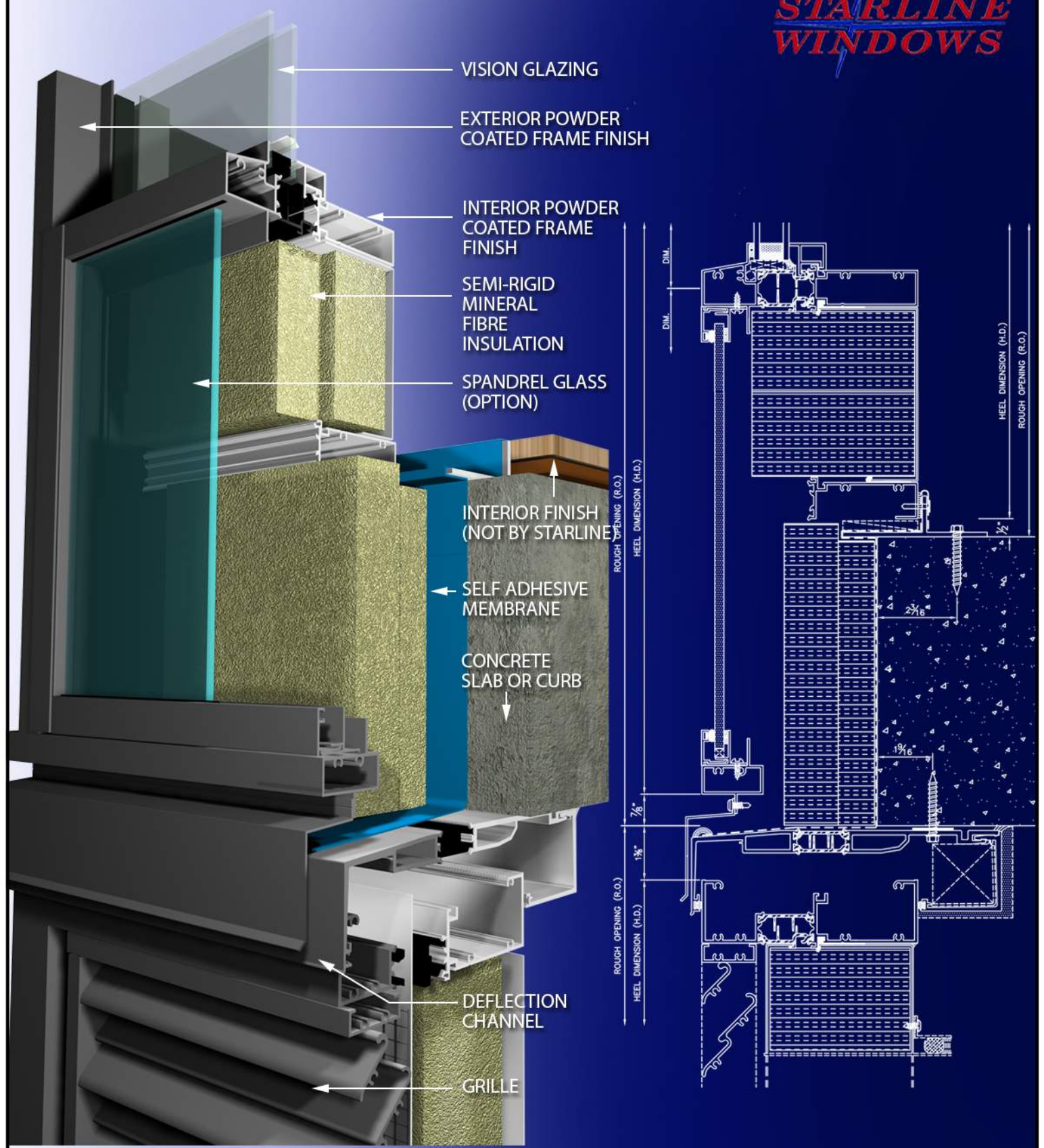


Series 9600 Product Renderings

Thermally Enhanced Aluminum Window Wall
Available in Double and Triple Glazed



Quality, Comfort & Peace of Mind

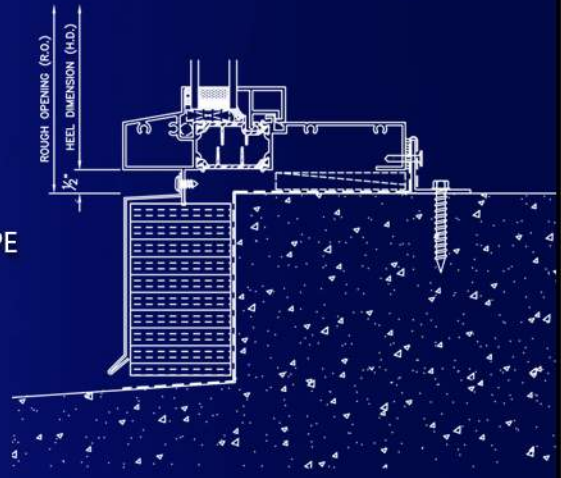
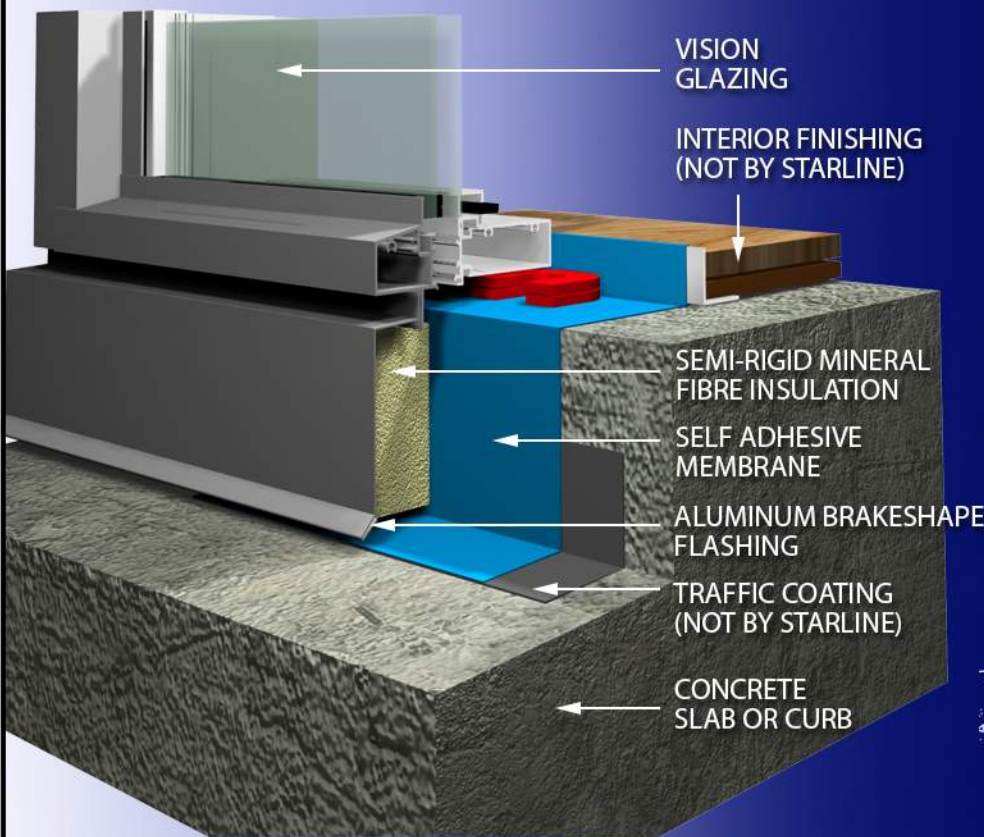
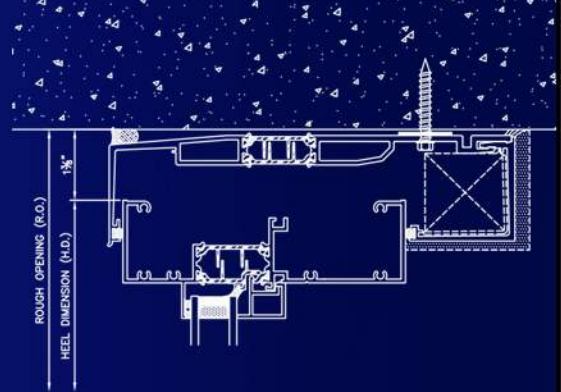
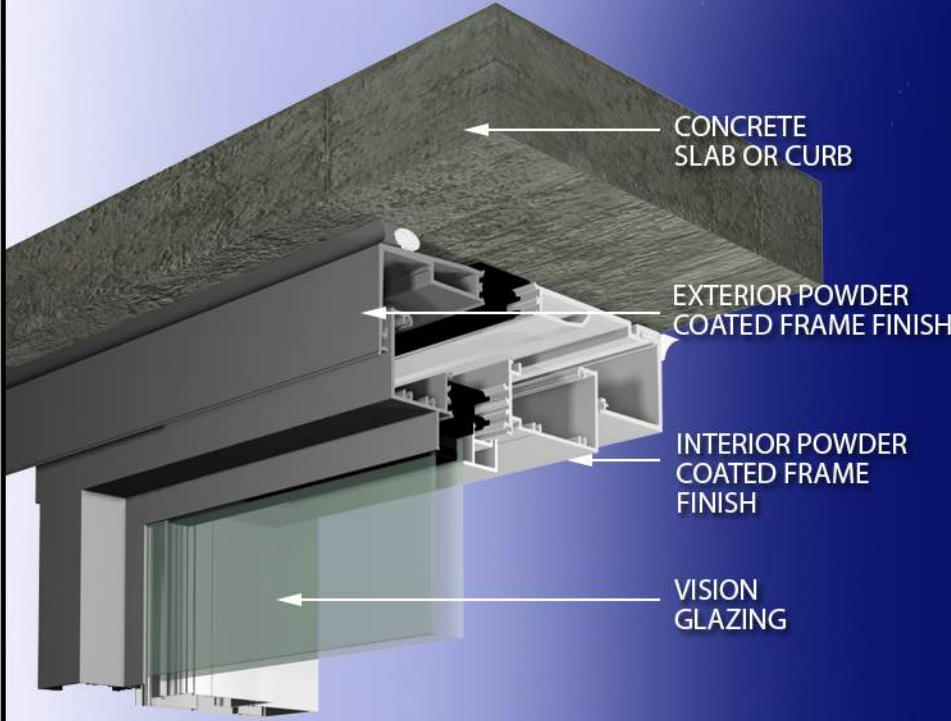


SERIES 9600 - BYPASS W/ T BAR, HEAD DEFLECTOR & GRILLE

THIS DETAIL IS A SUGGESTED METHOD OF INSTALLATION AND DOES NOT REPRESENT A DETAIL THAT IS SUITABLE FOR A SPECIFIC PROJECT. TO CONFIRM PROJECT SPECIFIC DETAILS, PLEASE CHECK WITH YOUR WATERPROOFING/BUILDING ENVELOPE CONSULTANT.

DRAWINGS ARE SUBJECT TO CHANGE WITHOUT NOTICE

AUTHOR:	DATE:	DWG NO:
S.R.R.	MAY 2020	9600 - DWG 1

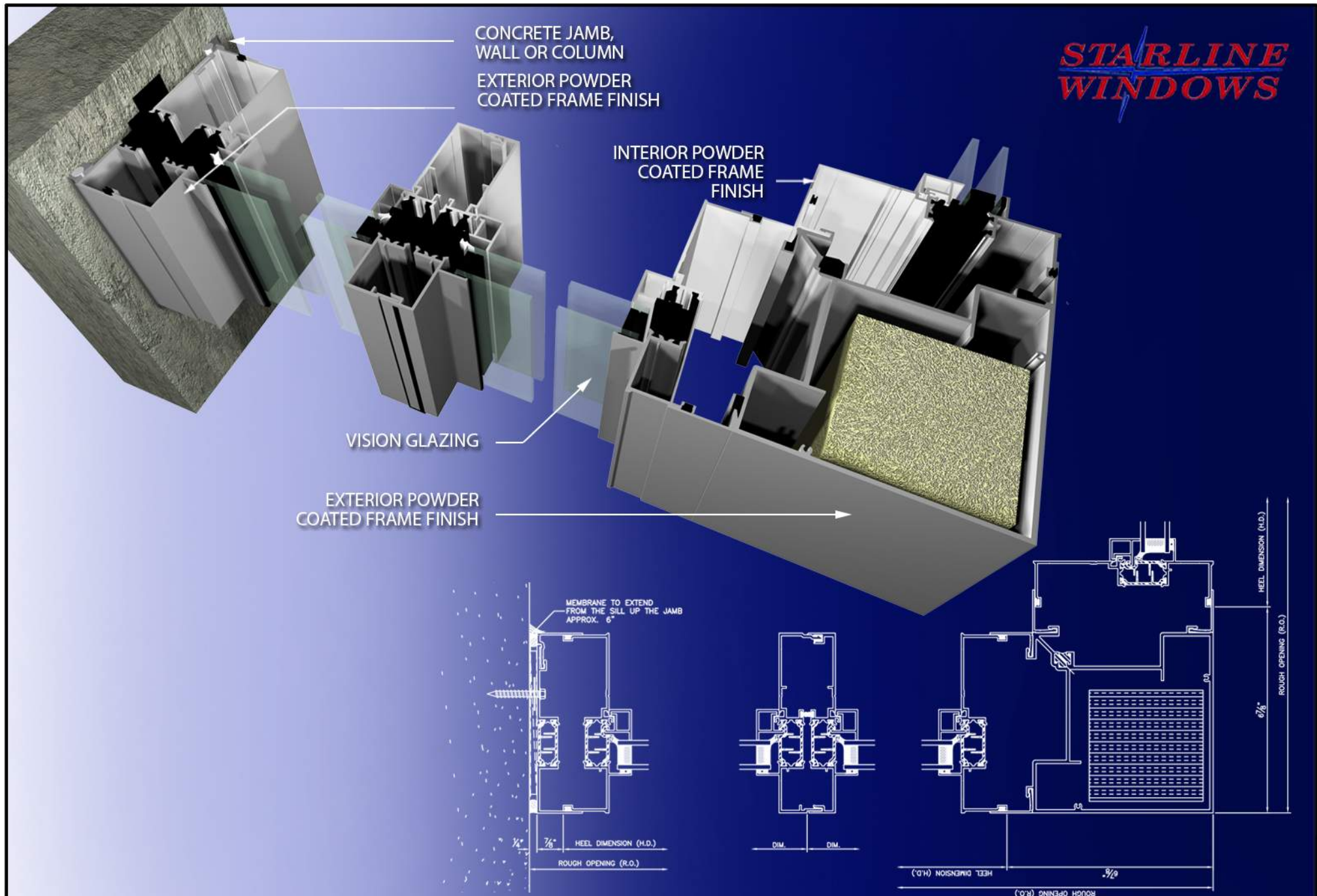


SERIES 9600 - HEAD DEFLECTOR & SILL

THIS DETAIL IS A SUGGESTED METHOD OF INSTALLATION AND DOES NOT REPRESENT A DETAIL THAT IS SUITABLE FOR A SPECIFIC PROJECT. TO CONFIRM PROJECT SPECIFIC DETAILS, PLEASE CHECK WITH YOUR WATERPROOFING/BUILDING ENVELOPE CONSULTANT.

DRAWINGS ARE SUBJECT TO CHANGE WITHOUT NOTICE

AUTHOR:	DATE:	DWG NO:
S.R.R.	MAY 2020	9600 - DWG 3



SERIES 9600 - SEISMIC JAMB, 180 DEGREE COUPLER & 90 DEGREE CORNER COUPLER

THIS DETAIL IS A SUGGESTED METHOD OF INSTALLATION AND DOES NOT REPRESENT A DETAIL THAT IS SUITABLE FOR A SPECIFIC PROJECT. TO CONFIRM PROJECT SPECIFIC DETAILS, PLEASE CHECK WITH YOUR WATERPROOFING/BUILDING ENVELOPE CONSULTANT.

DRAWINGS ARE SUBJECT TO CHANGE WITHOUT NOTICE

AUTHOR:

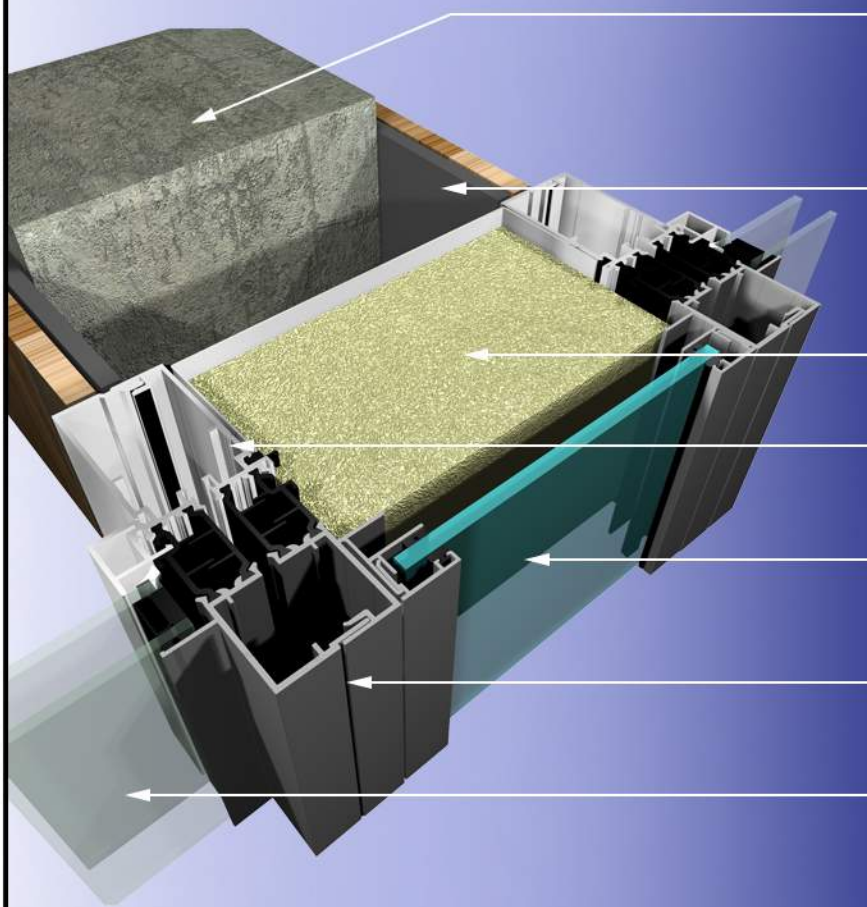
S.R.R.

DATE:

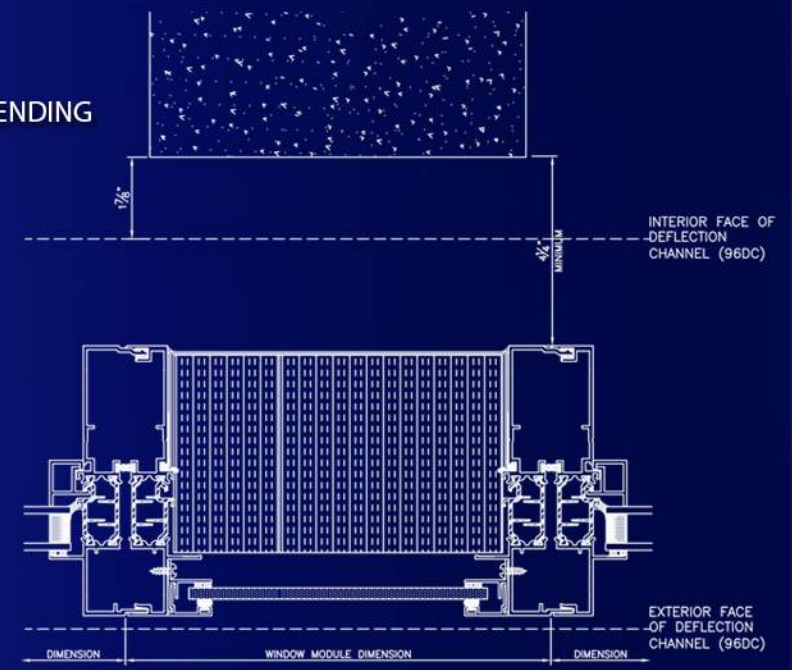
MAY 2020

DRAWING NUMBER:

9600 - DWG 5



- CONCRETE COLUMN
- MINIMUM 4 1/4" REQUIRED BETWEEN CONCRETE STRUCTURE & WINDOW FRAME. THIS DIMENSION MAY BE REQUIRED TO BE GREATER THAN 4 1/4" DEPENDING ON THE SIZE OF THE CONCRETE STRUCTURE
- SEMI-RIGID MINERAL FIBRE INSULATION
- INTERIOR POWDER COATED FRAME FINISH
- SPANDREL GLASS (OPTION)
- EXTERIOR POWDER COATED FRAME FINISH
- VISION GLAZING



SERIES 9600 - 96DC IN FRONT OF CONCRETE COLUMN

THIS DETAIL IS A SUGGESTED METHOD OF INSTALLATION AND DOES NOT REPRESENT A DETAIL THAT IS SUITABLE FOR A SPECIFIC PROJECT. TO CONFIRM PROJECT SPECIFIC DETAILS, PLEASE CHECK WITH YOUR WATERPROOFING/BUILDING ENVELOPE CONSULTANT.

DRAWINGS ARE SUBJECT TO CHANGE WITHOUT NOTICE

AUTHOR:	DATE:	DRAWING NUMBER:
S.R.R.	MAY 2020	9600 - DWG 7