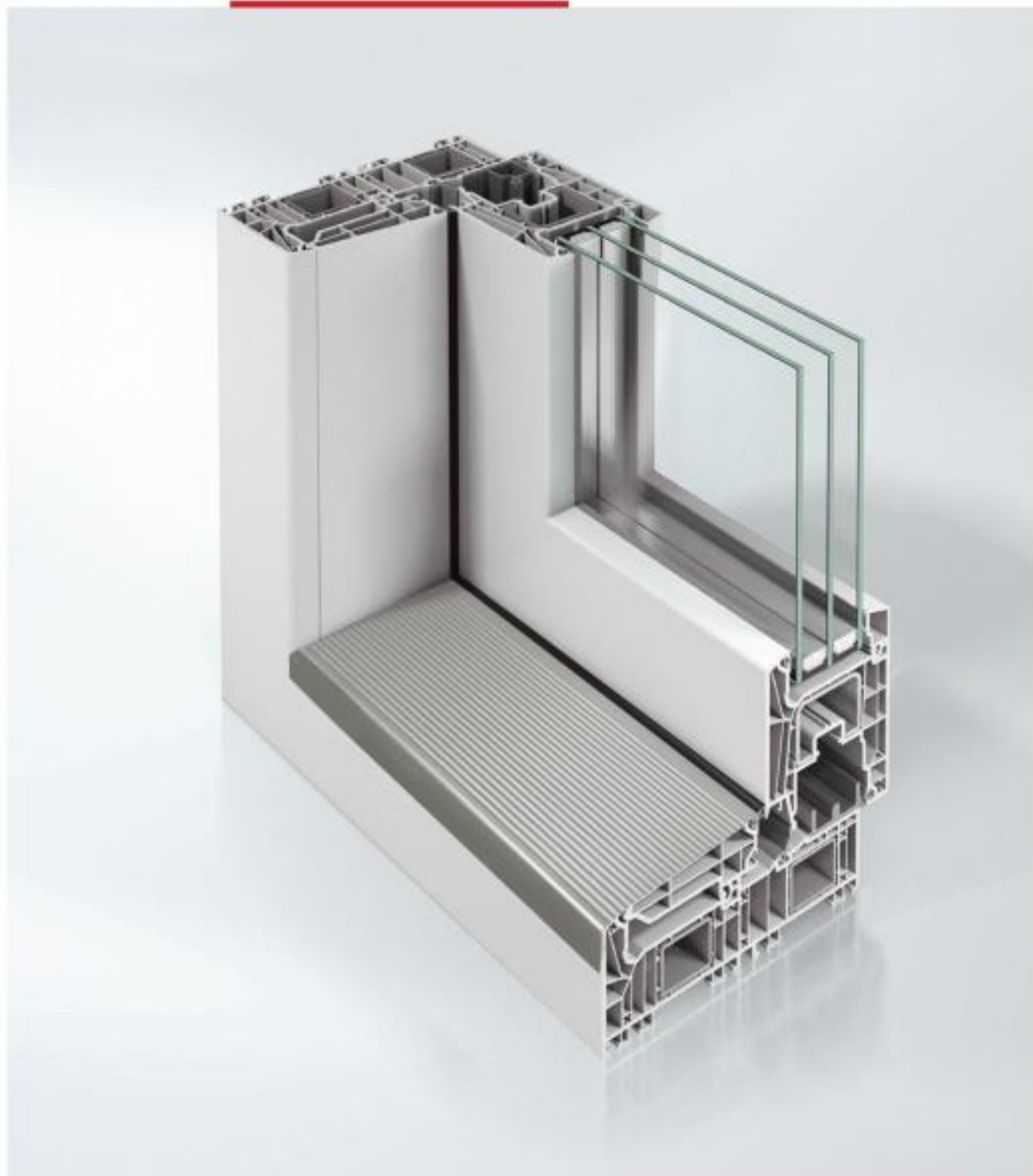


3800 SERIES

COMPRESSION SLIDING PATIO DOOR

PRODUCT CATALOGUE
VINYL DOOR



STARLINE
WINDOWS

Foreword

This Design Guide provides specifications on the Series 3800 vinyl sliding patio door.

This document is intended to provide information on our standard products. Non-standard designs and applications can be reviewed to determine the feasibility on a project-specific basis.

Please email any project specific enquiries to architectural@starlinewindows.com or technical@starlinewindows.com.

This document subject to change without notice.

Starline Windows reserves the right to change or discontinue this product without notice.

www.starlinewindows.com

Document Number TS-00013

© 2024-02-26 Starline Windows

Table of Contents

| | |
|---|-----------|
| Recommended Size Guidelines | 5 |
| Door Configuration Options | 5 |
| Door Hardware | 7 |
| Frame Finishes | 7 |
| Options | 7 |
| Frame and Sill Options | 8 |
| Seamless Welder | 8 |
| Glazing | 9 |
| Maximum IGU Area Based on Glass Lite Thickness | 9 |
| IGU Charts | 9 |
| Acoustical Ratings | 9 |
| Performance Test Results – Canada¹ | 10 |
| Field Test Water Ratings Per Configuration | 10 |
| XO or OX Sliding Door Clear Opening | 11 |
| Clear Opening Between Jamb and Head..... | 11 |
| Product Specification 08 32 13 – Sliding Vinyl Framed Glass Door | 11 |
| Part 1 - General..... | 11 |
| 1.1 Summary | 11 |
| 1.2 Quality Assurance | 12 |
| 1.3 Structural requirements ¹ | 12 |
| 1.4 Test and Performance Requirements..... | 12 |
| 1.5 Submittals | 13 |
| Part 2 – Products | 13 |
| 2.1 Manufacturers | 13 |
| 2.2 Material | 14 |
| 2.3 Fabrication | 14 |
| 2.4 Glazing ¹ | 14 |
| 2.5 Hardware ¹ | 15 |
| 2.6 Frame Finish | 15 |
| 2.7 Optional Items..... | 15 |
| Part 3 - Execution..... | 16 |
| 3.1 Examination | 16 |

Series 3800 Compression Sliding Patio Door Design Guidelines

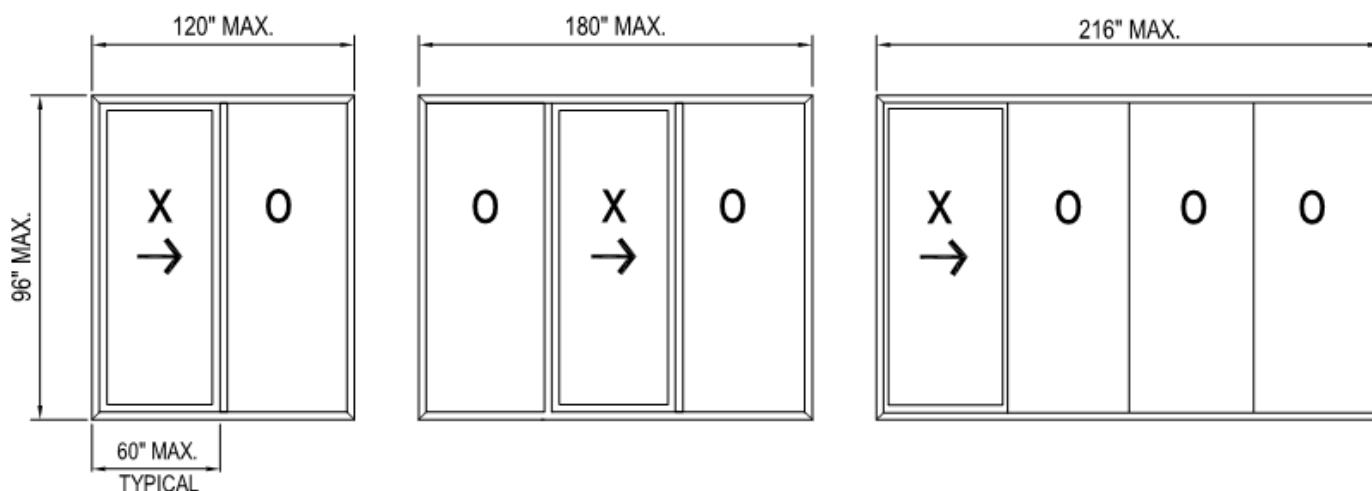
| | |
|--|-----------|
| 3.2 Installation..... | 16 |
| 3.3 Field Quality and Control..... | 17 |
| 3.4 Protection and Cleaning | 17 |
| Series 3800 NFRC Product Energy Chart | 18 |

Series 3800 Compression Sliding Patio Door Design Guidelines

Recommended Size Guidelines

Starline Windows provides maximum guidelines for door module area and weight for new construction and restoration projects. The 3800 Series is a sliding patio door.

Door Configuration Options



STANDARD SIZES AND AVAILABLE CONFIGURATIONS ¹

| | | | | | | | |
|----------------|----------|---------|---------|---------|---------|---------|---------|
| Heel Dimension | Width | 71" | | 95" | | 119" | |
| | Height | 79 1/4" | 94 1/4" | 79 1/4" | 94 1/4" | 79 1/4" | 94 1/4" |
| Configuration | XO or OX | ✓ | ✓ | ✓ | ✓ | ✓ | ✓ |

| | | | | | | | |
|----------------|------------|---------|---------|---------|---------|---------|---------|
| Heel Dimension | Width | 107" | | 143" | | 179" | |
| | Height | 79 1/4" | 94 1/4" | 79 1/4" | 94 1/4" | 79 1/4" | 94 1/4" |
| Configuration | XOO or OOX | ✓ | ✓ | ✓ | ✓ | ✓ | ✓ |

| | | | | | | | |
|----------------|--------------|---------|---------|---------|---------|---------|---------|
| Heel Dimension | Width | 143" | | 191" | | 216" | |
| | Height | 79 1/4" | 94 1/4" | 79 1/4" | 94 1/4" | 79 1/4" | 94 1/4" |
| Configuration | XOOO or OOOX | ✓ | ✓ | ✓ | ✓ | ✓ | ✓ |

¹ Non-standard door sizes may be available upon request and for an additional cost. Non-standard sizing will be reviewed on a project specific basis and may require longer lead times.

Series 3800 Compression Sliding Patio Door Design Guidelines

SLIDING DOOR LIMITATIONS

| SLIDER CONFIGURATION | XO, OX | OXO, XOO, OOX | XOOO, OOOX |
|--|----------------------------------|---------------|------------|
| MAXIMUM WEIGHT (Without Slider) ¹ | 400 pounds | | |
| MAXIMUM AREA FOR SLIDER ² | Double/Triple glazed = 40 sq.ft, | | |
| MINIMUM HEIGHT | 72" | | |
| MAXIMUM WIDTH | 120" | 180" | 216" |
| MINIMUM SLIDER WIDTH | 36" | | |

Note: Limitations are guidelines and depend on site conditions.

MAXIMUM SLIDING DOOR WIDTH HEIGHT AND AREA

| FRAME FINISH ³ | MAXIMUM WIDTH | MAXIMUM HEIGHT | MAXIMUM AREA |
|--|---------------|----------------|----------------|
| White (unpainted). Beige, Silver -UV Cure Coat | 216" | 94 3/8" | 124 sq. ft. |
| Black, Charcoal, and Brown -UV Cure Coat | 216" | 94 3/8" | 94.375 sq. ft. |

MAXIMUM IGU AREA AND LINEAL INCHES BASED ON GLASS LITE THICKNESS⁴

| GLASS THICKNESS | MAX. IGU AREA | MAX. UNITED INCHES (One Width + Height) |
|-----------------|---------------|---|
| 3mm | 19.5 sq. ft. | < 105" |
| 4mm | 30 sq. ft. | 105"-150" |
| 5mm | 41 sq. ft. | >150"-175" |
| 6mm | 50 sq. ft. | >175" + |

Note: There are minimum and maximum dimensions as well as overall IGU areas to consider for different types of glass (ex. annealed, tempered, laminated, etc.). Maximum dimensions are as laid out in above chart, regardless of the glass type. For all other sizing information please visit the Products tab on Vitrum Glass Groups website at: <http://www.vitrum.ca/> for the most up to date information.

¹ Maximum module weight is a guideline that considers, production capabilities, tailgate deliveries and window installer capabilities. Please consult with the window installers on a project specific basis to determine their ideal overall door module weight with respects to handling and installing. Industry standard for installation typically ranges from 200 lbs. and up, depending on site conditions, man power and equipment that will be used to assist with installation. If an overall door module is greater than 300 lbs, site glazing is required due to manufacturing limitations. Door modules that are heavier than installers are willing to install (approximate range 200lbs – 300 lbs) site glazing may be an option, however it is Starline Window's recommendation that factory glazing, in a controlled environment, is utilized whenever possible.

² Maximum area for an individual insulated glass unit (IGU) is dependent on the glass thickness selected. Once the desired IGU area has been determined, refer to **Maximum IGU Area & Lineal Inches Based on Glass Lite Thickness** chart above for minimum allowable glass thickness. **Please note:** There may be certain design, structural, building code, by-law etc. requirements that could dictate the glass thickness. Glass thickness will be confirmed during the shop drawing phase, if applicable, and /or ordering of the windows.

³ UV Cure coat is available for the exterior and interior of the window frame.

⁴ Glass thickness may be required to be thicker than stated in the **Maximum IGU Area & Lineal Inches Based on Glass Lite Thickness** chart due to structural requirements, building code requirements, by-law requirements, etc.

Series 3800 Compression Sliding Patio Door Design Guidelines

Example: 4mm thick glass is selected from the chart for an IGU that is 25 sq. ft. (4mm can be up to 30 sq. ft). Due to structural requirements, 5mm glass is required (due to wind load). 5mm glass is heavier than 4mm glass, therefore the door size may need to be reduced to keep overall weight within Starline windows recommended maximum weight.

Door Hardware

Standard Hardware

The Series 3800 sliding patio door has a lever type handle made from zinc-alloy on both the exterior and interior of the sliding panel with a keylock on the exterior.



White



Black

¹Chrome handles are not a stock item. The request for chrome handles will need to be approved by management.

Frame Finishes

Starline Windows offers various options for vinyl frame finish.

Starlines standard finish for the exterior and interior of the vinyl frame is Standard White. The extrusion is left as a bare substrate (not painted) as the colour is impregnated into the vinyl material.

Options

There is an option to paint the exterior of the frame using an exterior grade UV cure coating which is specifically designed for use on vinyl fenestration products. This coating contains 100% solids, thus emits no volatile organic compounds (VOC's) or hazardous air pollutants (HAPS).

The following **standard colours** are available:

- *Black
- *Charcoal

The following **semi-standard colours**¹ are available:

- *Brown
- *Silver
- *Beige

***Available to be painted on the exterior and interior**

Custom colours may also be available for the exterior of the frame. The scope of work and overall custom colour quantity will be reviewed by Starline on a project specific basis to determine the feasibility of the custom colour request.

Note: Standard and Semi-standard colours are available for an additional cost

Series 3800 Compression Sliding Patio Door Design Guidelines

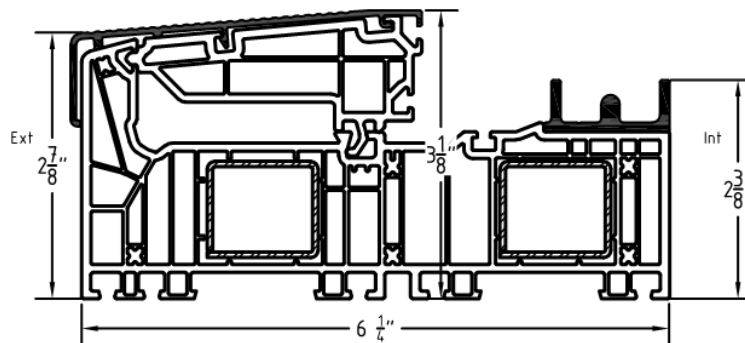
Custom colours are available for an additional cost premium. An approximate 12-week lead time is required to procure custom colour requests. Refer to the **Vinyl Finishes** document in the Miscellaneous section of the catalogue for images of the stock and semi-standard colours available.

¹Semi Standard colors that are painted on the exterior and interior must have a minimum of 10 windows to apply.

Refer to the **Vinyl Finishes** document in the **Miscellaneous section** of the catalogue for images of the stock and semi-standard colours available.

Frame and Sill Options

Starline Windows offers a flangeless type frame style with a 6 ¼" overall frame width and 1 option for a sill threshold.



Seamless Welder

The 3800 series product line includes a seamless weld at all four corners of the frame and tbar joints. This innovation in machinery eliminates the welding seam, corner touch ups on painted product and ensures the weld is perfectly flush with the exterior frame.



Series 3800 Compression Sliding Patio Door Design Guidelines

Glazing

Starline's standard insulated glass unit (IGU) will be comprised of the following glass make-up:

- Double glazed, double sealed IGU with an overall thickness of 3/4" (20 mm).
- Standard high-performance soft coat (sputtered) Low E which is applied to surface #2.
- Warm edge spacer with argon fill.
- Minimum glass thickness is 4mm.

Maximum IGU Area Based on Glass Lite Thickness

| GLASS THICKNESS | MAX IGU AREA | MAX. UNITED INCHES (One Width + Height) |
|-----------------|--------------|---|
| 4mm | 30 sq. ft. | 105"-150" |
| 5mm | 41 sq. ft. | >150"-175" |
| 6mm | 50 sq. ft. | >175" + |

IGU Charts

SERIES 8500 DOUBLE GLAZED IGU: 20mm, Overall thickness of primary seal (Butyl): 0.8mm

| EXTERIOR | | SPACER | | INTERIOR | |
|----------|------|--------|------|-----------|------|
| mm | inch | mm | inch | mm | inch |
| 4 | 5/32 | 12.6 | 1/2 | 4 | 5/32 |
| 4 | 5/32 | 11.6 | 7/16 | 6 | 1/4 |
| 5 | 3/16 | 11.6 | 7/16 | 5 | 3/16 |
| 6 | 1/4 | 9.6 | 3/8 | 6 | 1/4 |
| 4 | 5/32 | 9.6 | 3/8 | 6LAM .030 | 1/4 |

Note: The IGU, glass thickness and spacer bar size is based on nominal dimension. Actual dimensions will vary slightly.

There are other glass make-up combinations available other than noted in the above chart. Charts purpose is to provide a few examples. There are various other combinations available that can be reviewed on a project specific basis.

Acoustical Ratings

DOUBLE GLAZED IGU

| GLASS EXT. | GAP | GLASS INT. | TEST NUMBER | STC | OITC |
|------------|------|----------------------|-------------|-----|------|
| 4mm Temp | 13mm | 4mm Temp | TL9195 | 32 | 26 |
| 6mm Temp | 10mm | 4mm Temp | TL9194 | 35 | 29 |
| 4mm Temp | 25mm | 6mm Lam. W/0.8mm PVB | TL9192 | 38 | 30 |
| 6mm Temp | 21mm | 8mm Lam. W/0.8mm PVB | TL9223A | 39 | 32 |

Series 3800 Compression Sliding Patio Door Design Guidelines

TRIPLE GLAZED IGU

| GLASS EXT. | GAP | GLASS CENTRE | GAP | GLASS INT. | TEST NUMBER | STC | OITC |
|------------|------|--------------|------|----------------------|-------------|-----|------|
| 4mm Temp | 13mm | 4mm Temp | 13mm | 4mm Temp | TL99193 | 32 | 25 |
| 4mm Temp | 10mm | 5mm Temp | 10mm | 6mm Lam. W/0.8mm PVB | TL9191A | 38 | 31 |

Performance Test Results – Canada¹

VISTA SERIES SLIDING PATIO DOOR

| PRODUCT DESIGNATOR | AIR TIGHTNESS | WATER PENETRATION RESISTANCE | | UNIFORM LOAD DEFLECTION | OPERATIONAL FORCE |
|--------------------|---------------|------------------------------|----------------------------|-------------------------|-------------------|
| | | LAB TESTED | FIELD TEST ^{2, 3} | | |
| CW-PG55 | A3 | 510 PA | 400 PA | 3360Pa | PASS |

The 3800 Series Compression Sliding Patio Door has been tested to AAMA/WDMA/CSA 101 I.S.2/A440-11 and CSA A440SI-09

¹ The performance test results is based on lab testing and will vary depending on the specific window configuration. Contact your local Starline Sales Representative to determine the specific performance test results for the window configurations on a project specific basis.

² Water penetration resistance field tests shall follow the criteria and testing procedures as outlined in the AAMA 502-08 specification standard. Please see more specific field ratings under section “Field Test Water Ratings”.

³ 400Pa / 6.89 psf is the maximum field test result that can be achieved for the Series 3800 Patio Door. Should the Project Specifications state a water penetration field test requirement of a lesser value, the project specified values shall govern.

Field Test Water Ratings Per Configuration

| DOOR CONFIGURATION | FIELD RATING ¹ |
|-----------------------------|---------------------------|
| Single Slider (XO, OX, OXO) | 400 Pa |
| Double Slider (OXXO) | 330 Pa |

¹If a project deems a higher field test rating please consult your sales rep or contact technical@starlinewindows.com

XO or OX Sliding Door Clear Opening

Clear Opening Between Jambs and Head

Width

$$\text{SLIDING DOOR CLEAR OPENING IN WIDTH:}$$
$$C.O. = (H.D.) - (3 \frac{1}{16}'' + 8 \frac{3}{8}'')$$

Height

$$\text{SLIDING DOOR CLEAR OPENING IN HEIGHT:}$$
$$C.O. = (H.D.) - (3 \frac{1}{16}'' + 3 \frac{1}{16}'')$$

STARLINE WINDOWS IS NOT RESPONSIBLE FOR DETERMINING THE CLEAR OPENING IN ANY JURISDICTION.

Product Specification 08 32 13 – Sliding Vinyl Framed Glass Door



Note: Bolded text in this specification are options that are highlighted for the specifier to select or to list requirements.

Part 1 - General

A fully welded 6 ¼" PVC sliding door frame designed for single family homes, townhouses, residential low and midrise construction and institutional projects.

1.1 Summary

A. Section Includes: Sliding Vinyl-Frame Glass Doors:

1. Vinyl framed sliding glass balcony door shall be Starline's **3800** Series sliding balcony door manufactured by Starline Windows Ltd.
2. Work included: Furnish labor, material and other services to complete the fabrication of the doors, including all materials and fitments required for the operation of the units in the manner, direction and performance shown on the shop drawings and specified herein.

Work not included: Window installation and installation accessories, structural support of door framing, interior trims. **(Specifier list others)**.

Series 3800 Compression Sliding Patio Door Design Guidelines

Related work specified elsewhere: **(Specifier to list).**

B. Related Sections: (Specifier to select the following related sections)

1. 07 27 00 – Air Barriers
2. 07 60 00 – Flashing and Trim
3. 07 92 00 – Joint Sealants
4. 08 15 23 – Vinyl-Framed Swing Doors
5. 08 53 13 – Vinyl Windows
6. 08 80 00 – Glazing

1.2 Quality Assurance

- A. Drawings and specifications for Work of this Section are based upon **3800** Series sliding patio door manufactured by Starline Windows Ltd. Whenever alternative products are offered, submit supporting technical literature, samples, drawings and performance data for comparison 10 days prior to closing date.
- B. Doors shall be tested and conform to the AAMA/WDMA/CSA 101 I.S.2/A440-11 and CSA A440SI-09 requirements.
- C. Manufacturer Qualifications:
 1. Manufacturer to have a minimum 10 years of documented experience.
 2. Manufacturer capable of providing a vinyl sliding door system that meet or exceed the performance requirements indicated.
- D. Installers to follow manufacture's installation procedures and recommendations.
- E. Mock-Up: If requested by Consultant, a mock up is to be provided and installed at project site. Mock-up to include acceptable products and manufacturer approved installation methods. Obtain Owner's and Consultant's acceptance of finish color, and workmanship standard.

1.3 Structural requirements¹

Specifier to select or remove section or components, depending if the project is engineered.

- A. **Limit mullion deflection to L/175.**
- B. **Allow for deflection of building structure. Vinyl doors shall be designed, fabricated and installed to withstand slab edge vertical differential deflections of maximum 3/4" ² and seismic inter-story lateral drift movements of elastic +/- 3/8" ² without significant damage to the fenestration system or in-elastic +/- 1 3/4" ² with significant damage expected but framing to be designed to remain anchored to the structure.**

¹ Note to specifier: This section is only applicable if there is a Professional Engineer involved with the project.

² Note to specifier: Values may change based on the configuration of the doors. Values to be specified by a Professional Engineer.

1.4 Test and Performance Requirements

Specifier to select from the following performance requirements.

- A. Doors shall meet performance class **CW-PG55**¹ when tested to AAMA/WDMA/CSA 101 I.S.2/A440-11 and CSA A440SI-09:

Series 3800 Compression Sliding Patio Door Design Guidelines

1. Air Infiltration: Door air infiltration shall not exceed 0.017 cfm/ft² (A3) when tested in accordance with ASTM E 283 with a pressure difference of 1.57 psf / 75 Pa.
2. Water Penetration Resistance:
 - I. There shall be no water infiltration for doors when tested in accordance with ASTM E547 with a pressure difference of 10.65 psf / 6.257 Pa (Laboratory Test).
 - II. There shall be no water infiltration for doors when tested in accordance with AAMA 502-08 with a pressure difference up to a maximum of 6.89 psf / 400 Pa (Field Test)².
3. Uniform Load Deflection Test: The deflection of door shall not exceed L/175 and there shall be no permanent set when tested in accordance with ASTM E330 with a design pressure of 70 psf / 3360 Pa, positive and negative.
4. Uniform Load Structural Test: There shall be no damage to hardware, accessories, fasteners, or any other damage that would render the door in operable when tested in accordance with ASTM E330 with a structural test pressure of 82 psf / 3960 Pa, positive and negative.
5. Thermal Performance³

U-value: The maximum door thermal transmittance U-value shall be **0.26 BTU/ hr*ft²*F (1.64 W/m²*k) for double glazed and / or 0.21 BTU/ hr*ft²*F (1.37 W/m²*k) for triple glazed when tested in accordance with AAMA 1503.1 and CAN/CSA-A440.2. Windows shall be tested and labeled to N.F.R.C. standard 100 & 200.**

 - I. Solar Heat Gain Coefficient: A (**maximum or minimum**) of **0.47 and /or 0.43 for triple glazed.**
 - II. Visible Light Transmittance: A (**maximum or minimum**) of **0.59 and /or 0.53 for triple glazed.**

¹ Note to specifier: Performance class result is based on lab testing and will vary by configuration and glass type. Contact Starline Windows for information on how the product can be engineered to achieve higher performance class than specified above.

² Note to specifier: 400Pa / 6.89 psf is the maximum field test result that can be achieved. Should the Project Specifications state a water penetration resistance field test pressure of a lesser value, the project specified values shall govern. The water penetration resistance field tests follow the criteria and testing procedures as outlined in the AAMA 502-08 specification standard.

³ Note to specifier: Thermal performance depends on glass specified. For double glazed values the above test was performed using 24mm double glazed insulated glass unit (4mm/Argon/4mm) with standard high performance soft coat (sputtered) Low E which is applied to surface #2, argon filled with aluminum spacer bar.

1.5 Submittals

- A. Product Data: Submit complete product data on system being used.
- B. Samples: Submit glass and frame colour(s) samples.
- C. Close-out Submittals:
 1. Warranty: Submit executed Manufacturer's warranty.
 2. Project Record Documents: Submit operation and maintenance data for installed product in accordance with General Conditions.

Part 2 – Products

2.1 Manufacturers

- A. Acceptable Manufacturers: Starline Windows

Series 3800 Compression Sliding Patio Door Design Guidelines

1. Sliding Vinyl-Framed Glass Door: **3800** Series.
- B. Substitutions: Approved alternates

2.2 Material

- A. Vinyl Extrusion:
 1. 159 mm (6 1/4") deep perimeter frame member¹.
 2. Multi-chamber for strength and thermal performance with a nominal wall thickness of 1.93mm (0.078").
 3. Frame member and intermediate bars 100% uPVC and is UV stabilized for optimum outdoor performance.
- B. Fasteners: Stainless steel and / or steel coated with Leland DT200 coating and of sufficient size and quantity to perform their intended function.
- C. Weather-stripping: Finseal material.
- D. Glass Setting Blocks: FPVC, Neoprene, EPDM, Santoprene or silicone with an 80 to 90 ± Shore A durometer hardness. Block material shall be compatible with sealed unit edge sealant.
- E. Glazing bead: uPVC and glazed from the outside.

2.3 Fabrication

- A. Fabricate framing from extrusions of size and shape shown on approved shop drawings or approved signed order if shop drawings are not applicable.
- B. Main framing, mullions, tbars and sliding ventilator extrusions shall be welded mitre corner construction.
- C. All framing profiles shall be straight and free of deformations and defects.
- D. Joints shall be accurately machined, fitted and sealed.
- E. Coupling mullions shall be designed to provide a functional split to permit modular construction and allow for thermal expansion.
- F. Perimeter frame shall be 159mm (6 1/4") deep with a minimum wall thickness of 1.93mm (0.078") and be thermally broken.¹
- G. Sliding ventilator shall be 76mm (3") deep with a minimum wall thickness of 1.93mm (0.078") and be thermally broken.
- H. All interior joints and interior screw heads shall be sealed with a non-hardening sealant.
- I. Sliding ventilator shall have a single Mohair weather strip with fin seal at the interlock. The sill, the head and the jamb at the frame shall have a Mohair weather strip with fin seal. Weather stripping will be white when a white, beige or silver exterior frame colour is used and weather stripping will be black when a brown, charcoal or black frame is used.
- J. All glazing pockets shall be vented, pressure equalized, and drained to the outside.
- K. Glass bead shall be uPVC and a snap-in screw-less type.

¹Note to specifier: Frame depth depends on frame type selected. Nail-flange, Rebate and Rainshield frame depths vary. Above frame depth is based on Starline's standard Nail-on flange frame.

2.4 Glazing¹

- A. Double glazed, double seal insulated glass unit (IGU) with an overall thickness of 3/4" (20 mm). Triple glazed IGU 1 3/8" (36mm) thick is available.
- B. Standard high-performance soft coat (sputtered) Low E applied to surface #2.

Series 3800 Compression Sliding Patio Door Design Guidelines

- C. Aluminum spacer with argon fill.
- D. Glass thickness shall be 4mm. Glass thickness and quality shall conform to the requirements of the U.S.A. and Canadian Code for commercial construction, current edition.
- E. Where practical, glazing shall be installed at the factory before shipping to site.

¹ Note to specifier: Glazing noted above is based on Starline's standard product offering. There are various other options available. Refer to [2.7.A](#) of this specification.

2.5 Hardware¹

- A. Hardware shall be furnished by the door manufacturer.
- B. Where practical, all hardware fittings shall be installed at the factory before shipping to site.
- C. Hardware shall be as follows:
 - 1. Sliding panel shall slide on adjustable ball bearing steel wheels.
 - 2. The handle is a lever type handle made from zinc-alloy on both the exterior and interior of the sliding panel.
 - 3. Handles are available in white and black.

¹ Note to specifier: Hardware noted above is based on Starline's standard product offering. There are various other options available. Refer to [2.7.F](#) of this specification.

2.6 Frame Finish

- A. All exposed surfaces of vinyl door and framing members shall be free of scratches and other serious surface blemishes.
- B. Finish: Standard white on the exterior and interior.

Note to Specifier: Option to have dual frame colour; Painted colour on the exterior of the window only. The interior can be uv painted or can be left as the bare substrate (white). Should an exterior or interior colour be required, refer to 2.7F of this specification for colour options.

2.7 Optional Items

Specifier to select from the following options and remove options not being selected.

- A. Glazing
 - 1. **4mm, 5mm, 6mm and greater thickness available.**
 - 2. Tinted, obscured & reflective glass
 - 3. Laminated glass
 - 4. Insulated glass internal grilles
 - 5. Surface mounted (plant-on) muntins
 - 6. Spacer bars
 - I. Warm edge spacer bar
- B. 180° Coupling mullions
- C. Extruded aluminum head flashing

Series 3800 Compression Sliding Patio Door Design Guidelines

- D. Dual frame color upgrade options – 1 color on exterior and white on the interior:
- E. Dual frame color upgrade options- 1 color on the exterior and one color on the interior
 - 1. UV cure coating¹: UV cure coating on the exterior with white interior or uv- cure coat both interior and exterior² (**Specifier to select from the colour(s) listed below**).

| | | |
|-----------------|--------------|---------------|
| Black | Brown | Silver |
| Charcoal | Beige | |

- 2. **Custom colours**³ may be available. Virtually any colour can be matched or closely matched. The scope of work and overall custom colour quantity will be reviewed by Starline on a project specific basis to determine the feasibility of the custom colour request.
- F. Shop Drawings: Submit complete shop drawings which include floor plans, elevations, door schedule, and product components including anchorage, fasteners, accessories and finish colour.
 - 1. Non-engineered shop drawings
 - 2. Engineered shop drawings, stamped and sealed by professional engineer.
- G. Threshold
 - 1. 3 1/8" tall threshold
- H. Hardware
 - 1. Keyed lock
- I. Protection: Insulated Glass Unit shall be protected with smart guard on the **exterior and / or interior**.

¹ Note to specifier: UV colours are available for an additional cost premium.

²Note to specifier: All colors are available to be painted on the exterior and interior for an additional cost premium (minimum 10 windows to apply).

³ Custom colours are available for an additional cost premium. An approximate 12-week lead time is required to procure custom colour requests.

Part 3 - Execution

3.1 Examination

- A. Installer to examine openings, structural support, substrates and any other conditions that would affect the installation, for compliance with manufacturer's instructions.
- B. Verify rough opening dimensions.
- C. Verify sill is within tolerance of levelness to ensure adequate shimming to obtain proper drainage.

3.2 Installation

- A. Install manufacturer's system in accordance with manufacturer's installation procedures and recommendations **and approved shop drawings**.
- B. Doors shall be installed and adjusted by experienced personnel in accordance with the manufacturer's installation procedures and instructions and approved shop drawings.
- C. All items in this section shall be set in their correct location and shall be set level, square, plumb and at proper elevations and in alignment with other work.

3.3 Field Quality and Control

- A. Manufacturer's Field Services: Upon Owner and/or Consultants written request, provide manufacturer's field service representative for site visit to inspect installation and to ensure accordance with manufacturer's instructions (and approved shop drawings, if applicable).
- B. Field Tests: Owner and/or Consultant may choose to conduct tests for water penetration and air infiltration.
 - 1. Testing Standard per AAMA 502.
 - 2. Field testing shall be performed by a qualified independent testing agency.
 - 3. Field testing should not occur until the door has been installed and the caulking is cured. Ensure the products used to complete the building envelope tie in (membrane, caulking, flashing, cladding, etc.) are installed complete and have cured.

3.4 Protection and Cleaning

- A. Protection: Doors shall be isolated from concrete, mortar, plaster and dissimilar metals with bituminous paint or other isolation coatings.
- B. Cleaning: It shall be the responsibility of the General Contractor to maintain protection and provide final cleaning.

Note: This specification is intended to be used by a qualified Specifier and will require modifications for the project specific requirements. This specification is not intended to be use verbatim as the project specific specification.

Laws, building and safety codes governing the design and use of this product vary widely. Starline Windows does not control the selection and use of this product and assumes no responsibility therefor.

Series 3800 Compression Sliding Patio Door Design Guidelines

Series 3800 NFRC Product Energy Chart

NFRC PRODUCT ENERGY CHART

| DOUBLE (19mm IGU) TRIPLE (35mm IGU) | GLAZING (Ext/Gap/Int) | U VALUE (W/M ² K) | U VALUE (Btu/hft ² F) | Shading Coefficient | Solar Heat Gain Coefficient | Visible Light Transmittance |
|--|--|---------------------------------|-------------------------------------|------------------------|--------------------------------|--------------------------------|
| Center of Glass (COG) | 4mm 366 (#2) / 4mm Clear | 1.36 | 0.24 | 0.31 | 0.27 | 0.64 |
| | 4mm 270 (#2) / 4mm Clear | 1.36 | 0.24 | 0.42 | 0.36 | 0.69 |
| | 4mm 180 (#2) / 4mm Clear | 1.48 | 0.26 | 0.72 | 0.63 | 0.79 |
| | 4mm 366 (#2) / 4mm i89 (#4) | 1.08 | 0.19 | 0.31 | 0.27 | 0.63 |
| | 4mm 270 (#2) / 4mm i89 (#4) | 1.14 | 0.20 | 0.41 | 0.36 | 0.68 |
| | 4mm 180 (#2) / 4mm i89 (#4) | 1.19 | 0.21 | 0.70 | 0.61 | 0.77 |
| | 4mm 366 (#2) / 4mm Clear / 4mm Clear | 1.02 | 0.18 | 0.29 | 0.25 | 0.59 |
| | 4mm 270 (#2) / 4mm Clear / 4mm Clear | 1.08 | 0.19 | 0.39 | 0.34 | 0.63 |
| | 4mm 180 (#2) / 4mm Clear / 4mm Clear | 1.08 | 0.19 | 0.66 | 0.58 | 0.72 |
| | 4mm 366 (#2) / 4mm Clear / 4mm 366 (#5) | 0.68 | 0.12 | 0.27 | 0.24 | 0.46 |
| | 4mm 270 (#2) / 4mm Clear / 4mm 270 (#5) | 0.74 | 0.13 | 0.35 | 0.31 | 0.53 |
| | 4mm 180 (#2) / 4mm Clear / 4mm 180 (#5) | 0.79 | 0.14 | 0.63 | 0.54 | 0.69 |
| | 4mm 366 (#2) / 4mm 366 (#4) / 4mm i89 (#6) | 0.62 | 0.11 | 0.23 | 0.20 | 0.45 |
| | 4mm 270 (#2) / 4mm 270 (#4) / 4mm i89 (#6) | 0.62 | 0.11 | 0.31 | 0.27 | 0.52 |
| | 4mm 180 (#2) / 4mm 180 (#4) / 4mm i89 (#6) | 0.68 | 0.12 | 0.59 | 0.52 | 0.68 |

Series 3800 Compression Sliding Patio Door Design Guidelines

| | | | | | | |
|---------------------|--|------|------|------|------|------|
| Sliding Door | 4mm 366 (#2) / 4mm Clear | 1.40 | 0.25 | 0.24 | 0.21 | 0.48 |
| | 4mm 270 (#2) / 4mm Clear | 1.42 | 0.25 | 0.32 | 0.28 | 0.52 |
| | 4mm 180 (#2) / 4mm Clear | 1.48 | 0.26 | 0.54 | 0.47 | 0.59 |
| | 4mm 366 (#2) / 4mm i89 (#4) | 1.19 | 0.21 | 0.23 | 0.20 | 0.47 |
| | 4mm 270 (#2) / 4mm i89 (#4) | 1.21 | 0.21 | 0.31 | 0.27 | 0.51 |
| | 4mm 180 (#2) / 4mm i89 (#4) | 1.25 | 0.22 | 0.53 | 0.46 | 0.58 |
| | 4mm 366 (#2) / 4mm Clear / 4mm Clear | 1.14 | 0.20 | 0.22 | 0.19 | 0.43 |
| | 4mm 270 (#2) / 4mm Clear / 4mm Clear | 1.15 | 0.20 | 0.29 | 0.25 | 0.46 |
| | 4mm 180 (#2) / 4mm Clear / 4mm Clear | 1.18 | 0.21 | 0.49 | 0.43 | 0.53 |
| | 4mm 366 (#2) / 4mm Clear / 4mm 366 (#5) | 0.89 | 0.16 | 0.21 | 0.18 | 0.34 |
| | 4mm 270 (#2) / 4mm Clear / 4mm 270 (#5) | 0.91 | 0.16 | 0.26 | 0.23 | 0.40 |
| | 4mm 180 (#2) / 4mm Clear / 4mm 180 (#5) | 0.95 | 0.17 | 0.47 | 0.41 | 0.51 |
| | 4mm 366 (#2) / 4mm 366 (#4) / 4mm i89 (#6) | 0.82 | 0.14 | 0.17 | 0.15 | 0.34 |
| | 4mm 270 (#2) / 4mm 270 (#4) / 4mm i89 (#6) | 0.84 | 0.15 | 0.24 | 0.21 | 0.39 |
| | 4mm 180 (#2) / 4mm 180 (#4) / 4mm i89 (#6) | 0.87 | 0.15 | 0.45 | 0.39 | 0.50 |