

Starline Supplied Materials

Before proceeding with your installation please ensure you've been supplied with the following.

- 1) Strap anchors for both jambs and head of the door
- 2) Interior installation angle for the sill

Note: If you're missing any of the above please call your salesman or project manager

Installation Notes and Steps

Installation Notes

- The information provided does not override shop drawings, local laws, and or building codes.
- Eurostar sliding doors are designed to allow a 1/2" clearance at both jambs/head and a 1/4" clearance at the sill, with shims installed at the sill only.
- Do not use expanding foam around the perimeter of doors.
- Doorframes must be installed plumb, level and square, otherwise the product may not perform to specifications, sashes may not operate properly, and the products may fail prematurely. Correct installation includes use of the strap anchors and installation angle provided.

Installation Procedure

- 1) Ensure the rough opening is plumb level and square.
- 2) **The door will be received with the glass out of the frame, put the glass to the side and prepare the door frame for installation**
- 3) Install your Starline provided strap anchors on the mainframe of the door as per the strap anchor diagram on page 3 (**Figure 2**)
- 4) Install/Fasten your Starline provided installation angle to the sill of the rough opening. Ensure that the placement of the angle corresponds to where you'd like the exterior of the door to sit in the wall.
- 5) Shim the frame as per the drawing on page 3 (**Figure 2**), do not shim at the head.
- 6) Install the door into the rough opening and temporarily fasten a few of the strap anchors.
- 7) Ensure the window frame is plumb and level after temporary fastening.
- 8) Secure the sill through the installation angle, refer to 3800 Series – "Eurostar Sliding Door Fastening Guide".
- 9) Apply caulking to the back of the strap anchors and fasten all anchors in a diagonal pattern.
- 10) Rod and caulk the interior/exterior of the door to ensure a proper air seal (jambs & head only)
- 11) Once the door is installed plumb, level and square the sealed unit should be glazed into the frame. Begin with finding the correct size glass, put the bottom portion of the glass in

and tilt the top side into the frame. Once secure, use your urethane hammer to snap the glass stops in place. Please use the below QR code to review the entire process:



12) Remove protective film from all profiles immediately after installation.

PVC Shims

Purpose

- Used at the sill of the door to support the weight of glass in the frame and to ensure proper operation is achieved.

Material

- Starline uses and recommends high impact PVC shims. Please select shims that will fit the gap without being loose or deforming the frame, do not force shims into place, and attach shims with caulking or glue.

Location of Shims

- Place shims as shown in the diagrams on this page. It is not always possible to place shims exactly where shown, therefore location dimensions can vary +/- 1" (+/- 25mm).

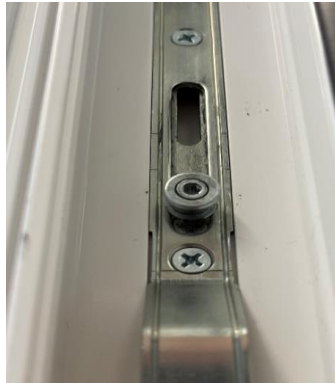
See Diagram and Instructions Below for Locations (Figure 2)

- 6" from corner & 6" from center line at any mullion at sill, plus 50% support of sill is required, add shims to comply.
- Do not shim at the head of the door.

Adjustments

Mushroom Keepers

- Location
 - Jamb of the sliding portion
- Adjustment
 - Using a T15 torx bit, rotate it clockwise or counterclockwise so the flat portion of the washer is aiming down to relax ease of operation
- Image



○

Center Locks

- Location
 - Inside jamb of the sliding portion where the fixed and moving panel interlock.
Note: The vent must be removed to access this adjustment.
- Adjustment
 - Using a torx bit, rotate it clockwise or counterclockwise to adjust the lock away or towards the slider to achieve your desired compression
- Image



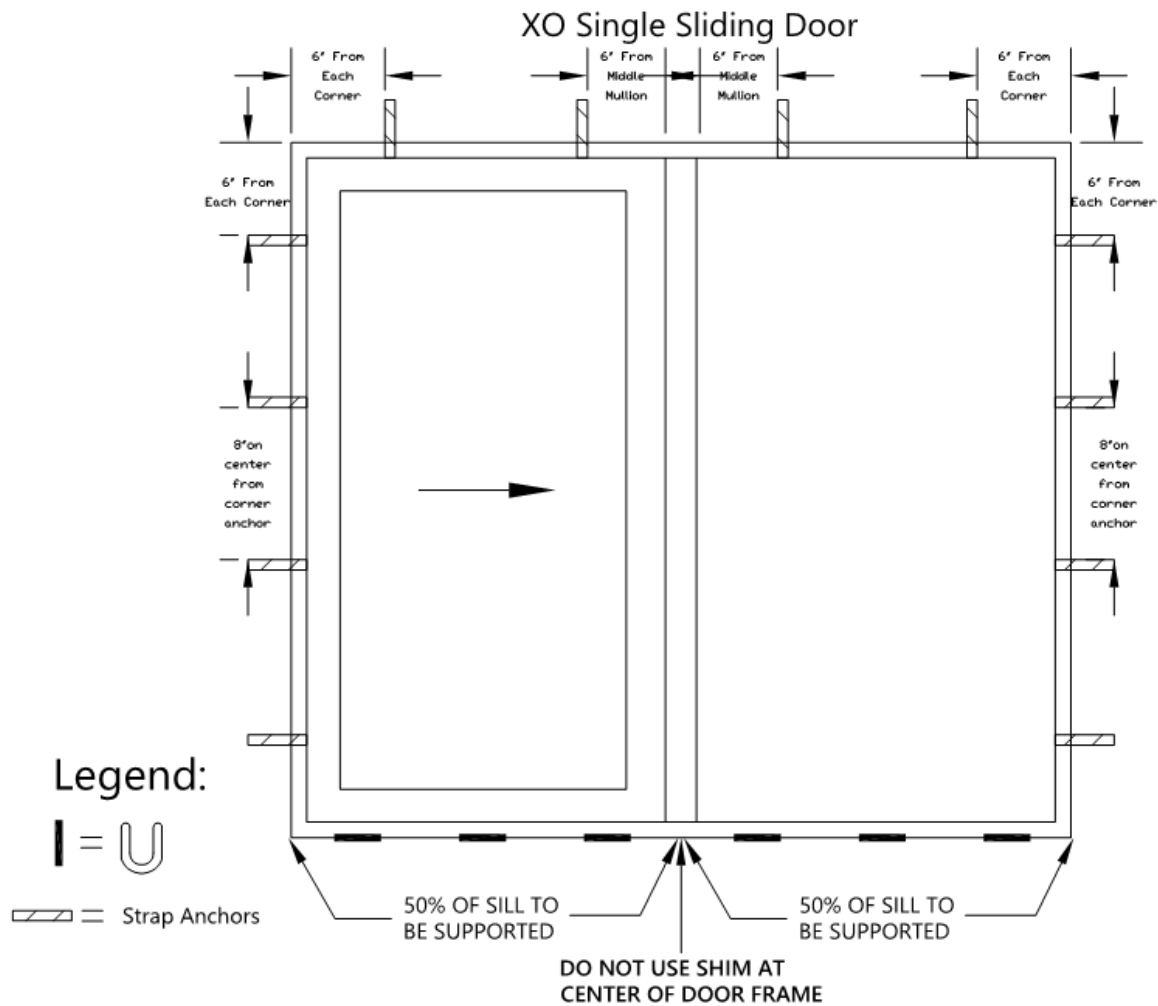
○

Strike Plates

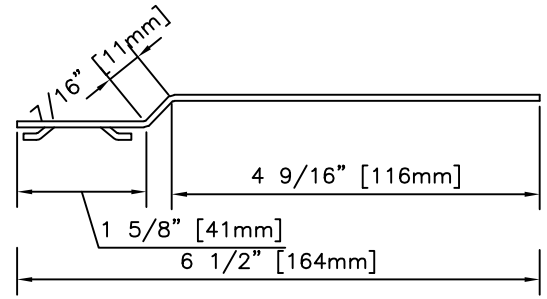
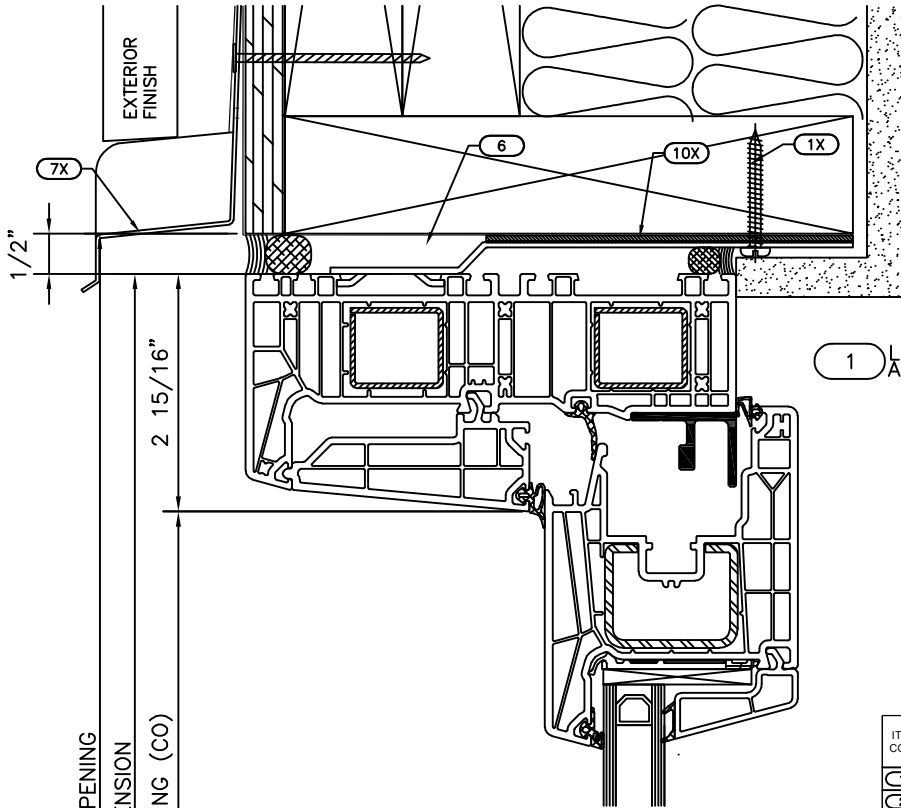
- Location
 - Outside jamb of the door closest to the wall
- Adjustment
 - We recommend to lubricate these strike plates with some sort of hinge grease to allow for the door to lock more smoothly
- Image



Figure 2



3800 SERIES COMPRESSION SLIDING DOOR DOOR FASTENING GUIDE - HEAD & SILL



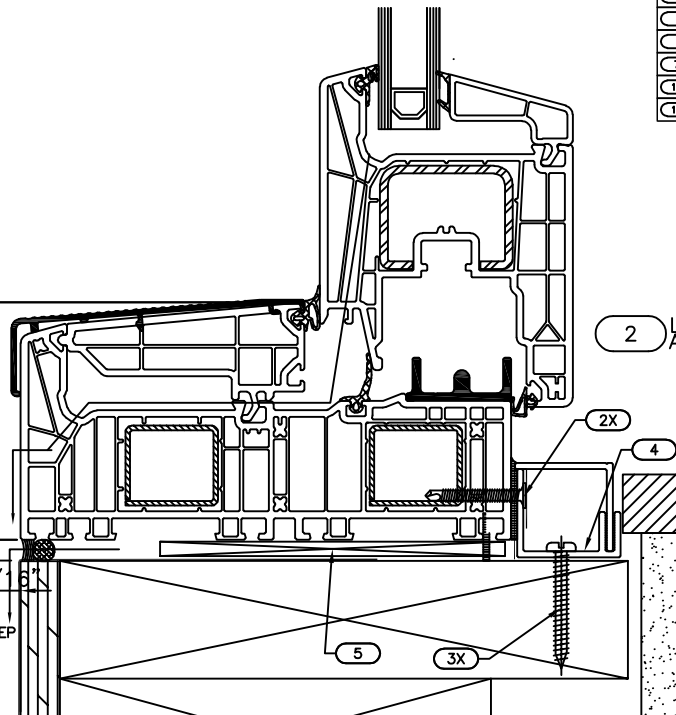
1 LIVING MOVE DOOR HEAD AS SHOWN

ROUGH OPENING
HEEL DIMENSION
CLEAR OPENING (CO)

2 15/16"

2 15/16"

2 15/16" [75mm]



2 LIVING MOVE DOOR SILL AS SHOWN

ITEM CODE	ITEM DESCRIPTION	SUPPLY BY STARLINE	
		FACTORY INSTALLED	SITE INSTALL BY STARLINE
1X	#10 x 1 1/2" @ 12" O.C. SHEET METAL SCREW		•
2X	#10 x 1-1/4" @ 12" O.C. WAFER HEAD TEK SCREW		•
3X	#10 x 2" @ 12" O.C. SHEET METAL SCREW		•
4	1-1/4" x 1-1/8" x .079" EXTRUDED ALUMINUM ANCHORING ANGLE & COVER (SAC) PREDRILLED @ 1/2" HOLE @ 12" O.C.		•
5	HIGH IMPACT PLASTIC SHIM @ 4" O.C., TO PROVIDE 50% SUPPORT OF WINDOW SILL.		•
6	14GA GALVANIZED STEEL STRAP ANCHOR (MAX. 8" O.C.)		•
7X	HEAD FLASHING		•
10X	CWS SEALANT		•
11X	SILL FLASHING		•

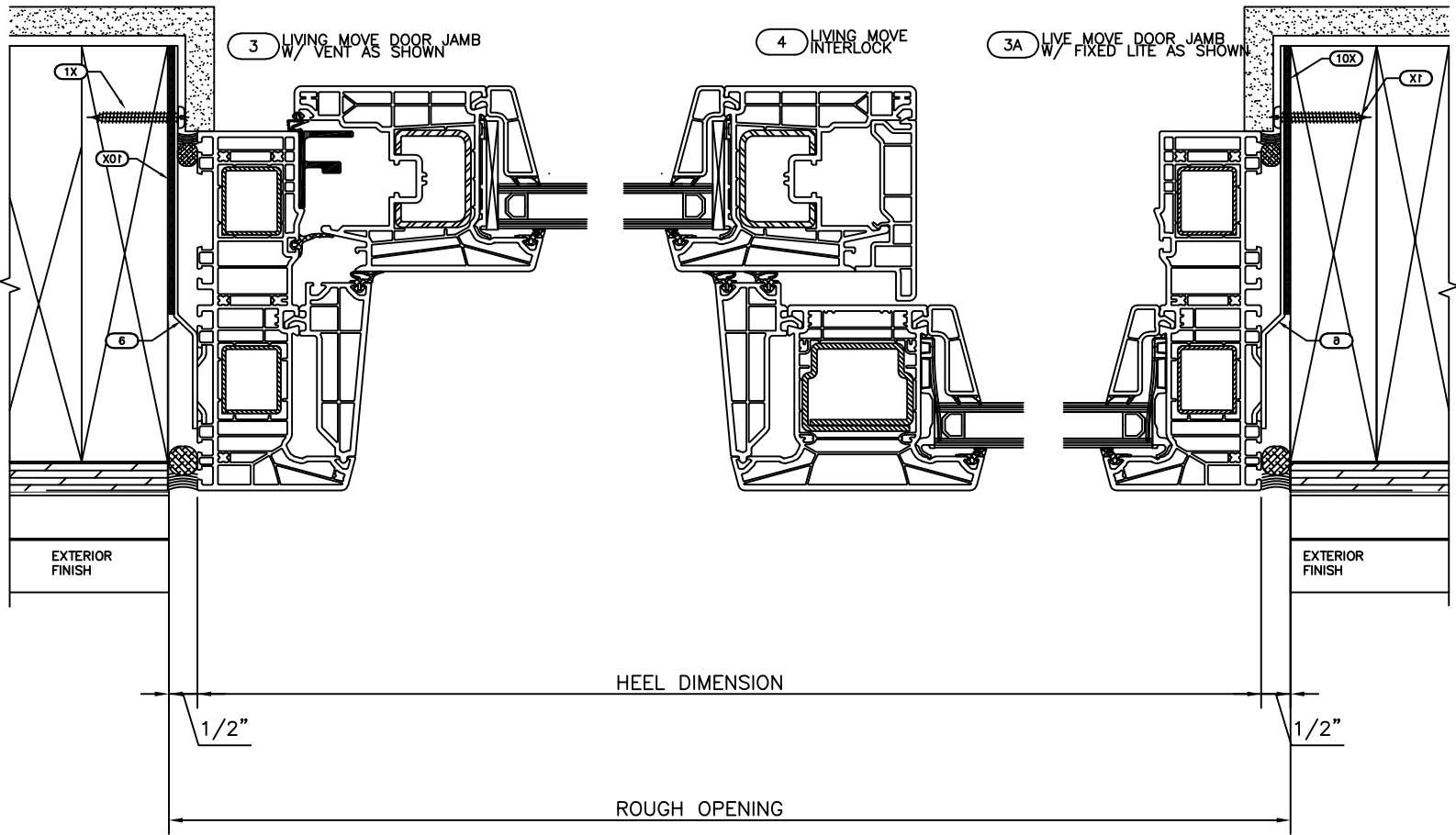
NOTE: STRUCTURAL FASTENING DETAILS **DO NOT** SUPERCEDE SHOP DRAWINGS AND ARE TO BE USED AS A GENERAL GUIDE ONLY.

ADDITIONAL FASTENING MAY BE REQUIRED FOR OVERSIZED FRAMES OR HEAVIER GLAZING. WHERE INTENDED INSTALLATION METHOD IS SIGNIFICANTLY DIFFERENT, PLEASE CONTACT STARLINE BEFORE YOU BEGIN WORK.

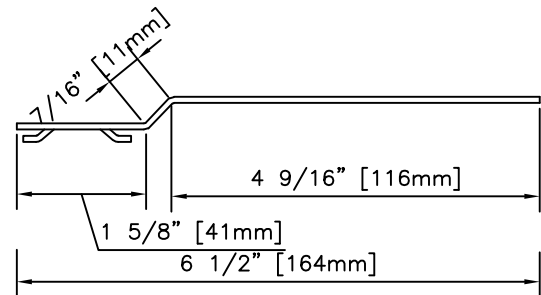
* SCREWS, SHIMS, ETC. ARE NOT SUPPLIED BY STARLINE UNLESS OTHERWISE STATED IN CONTRACT DOCUMENTS.

3800 SERIES COMPRESSION SLIDING DOOR

DOOR FASTENING GUIDE - JAMB



ITEM CODE	ITEM DESCRIPTION	SUPPLY BY STARLINE		
		FACTORY INSTALLED	SITE INSTALL NOT BY STARLINE	NOT BY STARLINE
1X	#10 x 1 1/2" @ 12" O.C. SHEET METAL SCREW			•
2X	#10 x 1-1/4" @ 12" O.C. WAFER HEAD TEK SCREW			•
3X	#10 x 2" @ 12" O.C. SHEET METAL SCREW			•
4	1-1/4" x 1-1/8" x .079" EXTRUDED ALUMINUM ANCHORING ANGLE & COVER (WAL) PREDRILLED @ 3/8" HOLE @ 12" O.C.		•	
5	HIGH IMPACT PLASTIC SHIM @ 4" O.C., TO PROVIDE SOX SUPPORT OF WINDOW SILL.		•	
6	14GA GALVANIZED STEEL STRAP ANCHOR (MAX. 8" O.C.)		•	
7X	HEAD FLASHING			•
10X	CWS SEALANT			•
11X	SILL FLASHING			•



NOTE: STRUCTURAL FASTENING DETAILS DO NOT SUPERCEDE SHOP DRAWINGS AND ARE TO BE USED AS A GENERAL GUIDE ONLY.
 ADDITIONAL FASTENING MAY BE REQUIRED FOR OVERSIZED FRAMES OR HEAVIER GLAZING.
 WHERE INTENDED INSTALLATION METHOD IS SIGNIFICANTLY DIFFERENT, PLEASE CONTACT STARLINE BEFORE YOU BEGIN WORK.
 * SCREWS, SHIMS, ETC. ARE NOT SUPPLIED BY STARLINE UNLESS OTHERWISE STATED IN CONTRACT DOCUMENTS.